



1999 SID Rear Shock Owner's Manual



At A Glance Maintenance Interval Checklist

Check the following for each maintenance interval. For further details see page 8.

EVERY RIDE (INSPECT)	EIGHT HOURS OF RIDING	ANNUALLY
Wipe shock body clean	Clean and grease body eye	Change oil
Check for damage		Overhaul shock
Check air pressure in positive and negative chamber		

IMPORTANT: TO MAINTAIN HIGH PERFORMANCE, SAFETY AND LONG LIFE, PERIODIC MAINTENANCE IS REQUIRED. PERFORM MAINTENANCE MORE OFTEN IF YOU RIDE IN EXTREME CONDITIONS.

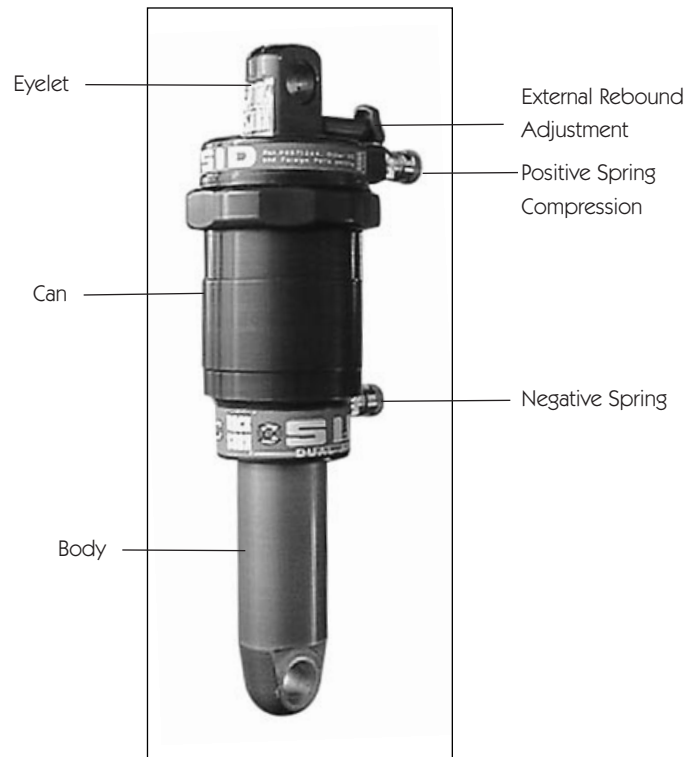
Table of Contents

Introduction	4
Features	5
Consumer Safety Instructions	5
Installation	5
Tuning	6
Maintenance	8
Glossary of Terms	9
Exploded Diagram	10
Warranty	11
International Distributor List	11



CONGRATULATIONS! YOU HAVE PURCHASED THE BEST IN SUSPENSION COMPONENTS. ROCKSHOX PRODUCTS ARE MADE OF LIGHTWEIGHT, HIGH-STRENGTH

MATERIALS, AND ARE DESIGNED TO BALANCE HIGH PERFORMANCE WITH EASE OF MAINTENANCE. THIS MANUAL CONTAINS IMPORTANT INFORMATION ABOUT THE SAFE INSTALLATION, OPERATION, AND MAINTENANCE OF YOUR PURCHASE. WE URGE YOU TO READ IT CAREFULLY, BECOME FAMILIAR WITH ITS CONTENTS, AND FOLLOW OUR RECOMMENDATIONS TO HELP MAKE YOUR BICYCLING EXPERIENCE ENJOYABLE AND TROUBLE FREE.



SID Rear Shock Features

- New air spring technology with a positive and negative chamber
- External positive and negative air spring adjustment
- External rebound adjustment (some models)
- Super light integrated design
- Tango tuned to perform in conjunction with RockShox front forks

STANDARD EQUIPMENT (SUPPLIED WITH SID REAR SHOCKS)

Mounting Hardware

Owner's Manual

Constant fill air adapter

OPTIONAL EQUIPMENT

Pump (with Schrader valve)

Consumer Safety Information

Riding a bike is dangerous. Not properly maintaining or inspecting your bike is even more dangerous. It's also dangerous not to read these Instructions.

1. Before riding the bicycle, be sure the brakes are properly installed and adjusted. If the brakes don't work properly, the rider could suffer serious and/or fatal injuries.
2. If the shock ever loses oil or if it makes sounds of excessive topping out, stop riding the bicycle immediately and have the shock inspected by a dealer or call RockShox. Continuing to ride with the shock in either of these conditions could result in loss of control of the bicycle with possible serious and/or fatal injuries.
3. Always use genuine RockShox parts. Use of after-market replacement parts voids the warranty and could cause structural failure to the shock. Structural failure could result in loss of control of the bicycle with possible serious and/or fatal injuries.

Installation Instructions

It is extremely important that your RockShox Deluxe shock is installed correctly by a qualified technician with proper tools. Consult your bicycle manufacturers instructions for proper installation of your SID shock. Improperly installed Deluxe shocks can be extremely dangerous and can result in severe injuries.

Tuning Your Rear Shock

By adjusting the air pressure, the RockShox Sid rear shock can be tuned to your particular weight, riding style and terrain. This shock is designed to be tuned for the soft, plush downhill ride or the long climbs, or a combination of both.

When tuning suspension, always make one change at a time and write it down. This takes patience, but allows you to understand how each change affects your ride. Use a familiar trail to make small adjustments at a time. To understand the tuning range it may also help if you ride one extreme to the other (low vs. high pressure or maximum vs. minimum rebound). Keeping a record lets you know what changes you have tried that work and suggests what changes you might try. Ask a shop or local riders what they have found works well. These resources are typically your best bet, but don't hesitate to call RockShox about specific tuning needs when necessary. A list of phone numbers is on page 12.

Selecting Air Pressure (Spring Rates)

The air pressure you run in the shock varies depending on weight and riding style. Air pressure can be changed in either the positive or negative air chamber (see fig. 1). The following sections will explain the differences between the positive and negative air pressure as well as how to adjust both features.

COMPRESSION AIR CHAMBER (POSITIVE)

The valve on the large diameter of the shock is for positive air pressure (fig. 1). Adjusting positive air pressure determines the spring rate or stiffness of the shock. The more air you put in, the firmer your shock will get.



Fig. 1

For heavier, more aggressive riders, we recommend increasing the air pressure in the compression chamber.

By using a hand pump, you may change the air pressure in the positive air chamber (main spring).

GOAL:

Find the air pressure that allows you to use the maximum travel available. Ideally you want the shock to occasionally bottom out.

DO THE FOLLOWING TO ADJUST THE POSITIVE AIR CHAMBER FOR PROPER SPRING RATE:

1. Locate the positive (compression) air valve (fig. 1).

TIP: AROUND THE SHOCK IS A DECAL LISTING AIR PRESSURE RANGE. THIS RANGE IS RECOMMENDED FOR YOUR PARTICULAR BICYCLE AND SHOULD BE USED AS A STARTING POINT WHEN CHOOSING AIR PRESSURE. LIGHTER RIDERS SHOULD START AT THE BOTTOM OF THE RANGE WHILE HEAVIER RIDERS SHOULD START AT THE TOP. WE RECOMMEND STARTING OUT SOFTER AND WORKING YOUR WAY UP.

2. Remove the positive air valve cap. Slight air pressure may build up under the cap causing it to pop off, this is normal. Be careful not to lose the cap.

3. Lightly thread constant fill adapter onto positive air valve. Do not over-tighten.
4. Fill shock to desired spring rate (air pressure).
5. Carefully push down on seat with pump installed. You may feel what the extra air does.
6. Record the final PSI rating.
7. Remove the pump once the spring rate is achieved.
8. Reinstall the cap, tightening by hand.

NEGATIVE AIR CHAMBER

The negative air valve (fig. 1) sets the characteristics (feel) of your bike. You may change the air pressure for the negative spring using a hand pump.

Increasing the negative spring pressure is ideal for plush downhill riding. Decreasing the air is ideal for climbing.

DO THE FOLLOWING TO ADJUST THE NEGATIVE AIR SPRING FOR DESIRED RIDE CHARACTERISTICS:

1. Locate the negative air valve.

TIP: THE DECAL AROUND THE VALVE INCLUDES PRESSURE RANGES. THIS WILL GIVE YOU YOUR STARTING POINT FOR THE NEGATIVE AIR PRESSURE WHICH EQUALS POSITIVE PRESSURE +/-20 PSI. FOR EXAMPLE, IF THERE IS 150 PSI IN THE POSITIVE AIR VALVE THEN:

150 psi - 20 psi = 130 psi for a cross country ride

150 psi + 20 psi = 170 psi for a plush downhill ride

Between 130 to 170 psi gives you a mixture of cross country and downhill

2. Remove the negative air valve cap. Slight air pressure may build up under the cap causing it to pop off, this is normal. Be careful not to lose the cap.
3. Lightly thread the constant fill adapter onto the negative air valve. Do not over-tighten.
4. Fill the shock to the desired air pressure. We recommend starting with equal or slightly less pressure than that of the positive air chamber. Notice the sag increases and the shock gets more supple as you add more air into the shock. Add the desired negative air pressure.
5. Remove the pump when the spring rate is achieved.
6. Reinstall the cap.

ADVANCED TUNING HINTS

- Negative air pressure tunes sag. Typically, sag is 25 percent of all available wheel travel for cross country and 33 percent for downhill.
 - Aggressive riding or rough terrain may warrant a higher spring rate.
 - Faster, more responsive steering can be achieved by decreasing the sag at the rear of the bike (increases head angle). Slower and more stable steering can be achieved by increasing the sag at the rear of the bike (decreases head angle).
- ∫ Using less negative air pressure than positive air pressure will give you an easier climbing ride.
- ∫ Using more negative air pressure than positive air pressure will give you a plush downhill ride.
- To determine maximum travel, leave 50 psi in each air chamber (positive and negative). Place a zip-tie around the body so that when the shock is compressed it moves the tie down on the body to mark maximum travel. Push on the seat or ride the bike to determine maximum travel (be sure shock is filled with air before riding).

Rebound Damping Adjustment (some models)

The SID shock includes a red rebound damping adjustment knob. The rebound controls the extension or return of the shock. The shock's rebound is quickest when the adjustment knob is in the full counterclockwise position. Rebound is slowest when the adjustment knob is in the full clockwise position.

DOWNHILL TUNING:

To optimize the downhill rebound, do a washboard test. Use a typical ride that has washboard or braking bumps. Go through the washboard or braking bumps a couple times to feel for consistency through the bumps. The rebound is just right when the wheel follows each bump and feels smooth throughout. The first bump should be as smooth as the last bump.

SYMPTOMS OF TOO MUCH REBOUND:

Slow shock return, where the shock feels good through the first few bumps and gets harder as you continue, means there is too much rebound. In addition, while breaking, the rear wheel will tend to skip over the bumps. To adjust it for more consistency and better breaking, turn the rebound knob a half turn counterclockwise and test it again.

SYMPTOMS OF TOO LITTLE REBOUND:

Too little rebound is when the shock returns too fast and the bike seems to want to buck you off or the rear wheel skips out. Turn the rebound knob a half turn clockwise to slow the rebound down for more consistency and better braking through the bumps.

ADVANCED HINTS

For bikes that need to be adjusted for rebound when climbing, turn in the rebound until the bobbing disappears.

Maintenance

RockShox SID shock is designed for high performance. To insure this, we recommend keeping the shock body as clean as possible. It is also recommended that the shock be overhauled by a qualified mechanic with proper tools once a year or more often if you ride in extreme conditions. A service manual explaining overhaul procedures is available through your local dealer or from RockShox direct at 1.800.677.7177.

Over time, the oil inside the shock will degrade and the shock will start to lose damping. The shock will compress and rebound too fast when damping loss is significant. This indicates the shock needs to be serviced. This service should only be performed by a RockShox dealer or call RockShox direct.

Lubrication of Air Spring - Once per year. This service requires the current RockShox Deluxe Service Manual.

Seal Inspection and Replacement - This service requires the current RockShox Deluxe Service Manual.

Air Spring Pressure - Check every ride, slight air loss might occur over a few days.

GENERAL UPKEEP:

Washing Your Deluxe Shock: Clean your shock with mild soap and a toothbrush. Keep the body and body eye bushings cleaned and greased.

IMPORTANT: NEVER USE A HIGH-POWERED WASHER FOR CLEANING THE SHOCK

Oil Change Intervals: We recommend that the oil be changed in your shock annually. However, if you ride in extreme conditions the oil should be changed more often than once a year.

Oil Leaks: One hundred percent serviceable. Contact a local RockShox dealer or RockShox direct to have your rear shock serviced.

Glossary of Terms

Bottoming Out – the condition when all suspension travel has been used up.

Compression Stroke – the "upward" motion of a fork which is moving in response to a bump impact.

Damping Force – the force required to move a shock absorber/damper (general oil) at any given speed.

Forged – a metal forming process which optimizes material structure using very large forces acting on a die mold in which material to formed is placed.

Geometry – Descriptive term for the lengths and angles used in a bicycle design.

Head angle – Angle the steering axis leans back from vertical. Increased head angle makes steering faster and decreased head angle makes steering slower.

One piece – unitized lower leg assembly with both fork legs and fork brace cast as one piece.

Preload – The amount either in pounds or inches, a spring is compressed when fitted to an extended shock absorber.

Rebound – The extension or return direction of the shocks or suspension.

Sag – compression of the suspension caused by the rider's weight.

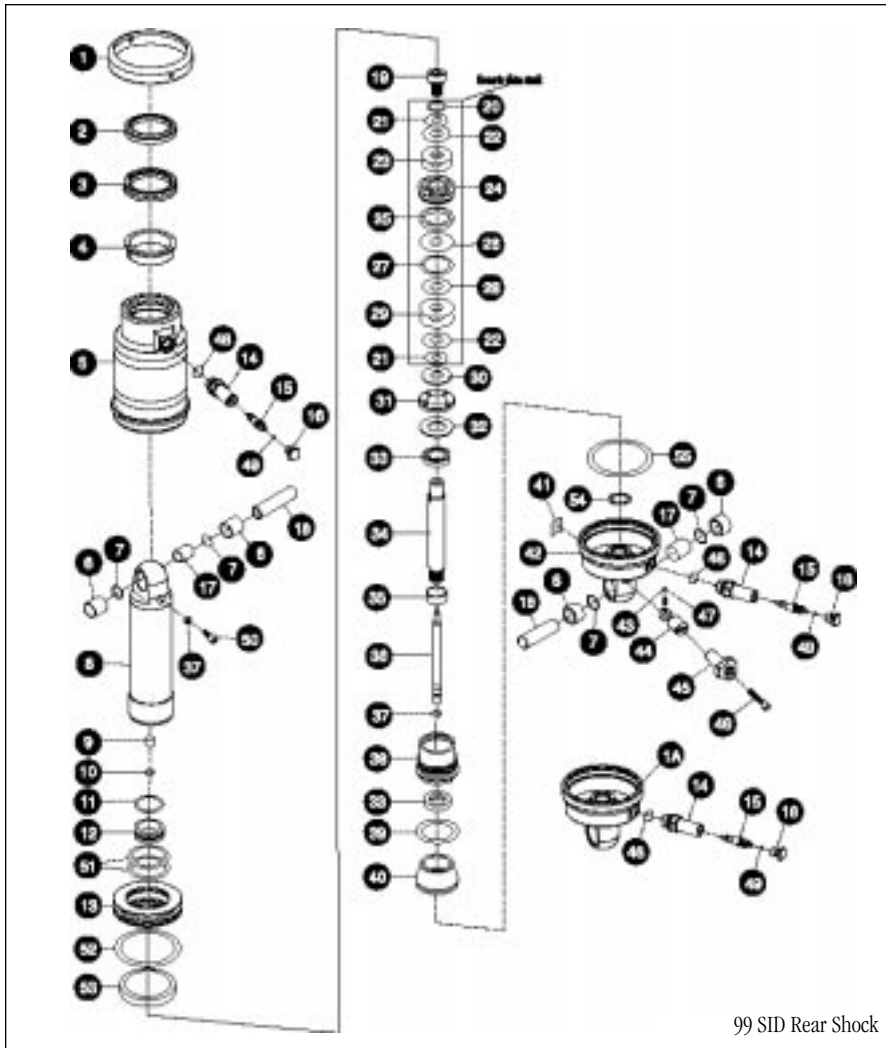
Spring rate – The amount of force required to deflect a spring a given distance.

Tapered – varying wall thickness of a tube. A design to optimize placement of material, allowing most efficient design considering the loads.

Topping out – the position of the fork at the "top" of the travel, or when the fork is fully extended. The action of complete extension of the fork.

IMBA Rules of the Trail

- Ride on open trails only
- Leave no trace
- Control your bicycle
- Always yield trail
- Never spook animals



99 SID Rear Shock

- | | | |
|----------------------------|------------------------|--------------------------|
| 1 Lock Can | 21 Shim | 37 Adjuster Rod O-ring |
| 2 Rod Wiper | 22 Shim | 38 Seal Head |
| 3 U-cup | 23 Shim | 39 Seal U-cup |
| 4 Bearing | 24 Piston | 40 SealHead O-ring |
| 5 Can | 25 Piston Ring | 41 Bottom-out Bumper |
| 6 Mount Sleeve | 26 Shim | 42 Decal Cover |
| 7 Mount O-ring | 27 Shim | 43 Shaft Eyelet |
| 8 Body | 28 Shim | 44 Rebound Detent Ball |
| 9 Air Valve | 29 Shim | 45 Adjuster Screw |
| 10 Ring Aluminum Air Valve | 30 Stop Washer | 46 Adjuster Knob |
| 11 Floating Piston O-ring | 31 Top Out Pad | 47 Rebound Knob Screw |
| 12 Floating Piston | 32 Seal Head Washer | 48 Rebound Detent Spring |
| 13 Fixed Piston | 33 Seal U-cup | 49 Air Valve O-ring |
| 14 Air Valve | 34 Shock Shaft, 1.25T | 50 Air Cap O-ring |
| 15 Valve Core | 34 Shock Shaft, 1.50T | 51 Air Plug |
| 16 Cap | 34 Shock Shaft, 2.0T | 52 Fixed Piston O-ring |
| 17 Mount Bushing | 35 Shaft Bushing | 53 Quad Ring |
| 18 Mount Spacer | 36 Adjuster Rod, 1.25T | 54 Glide Ring |
| 19 Piston Bolt | 36 Adjuster Rod, 1.50T | 55 Shaft O-ring |
| 20 Shim | 36 Adjuster Rod, 2.0 | 56 Can O-ring |

Warranty

ROCKSHOX, INC. WARRANTS ITS PRODUCTS FOR A PERIOD OF ONE YEAR FROM ORIGINAL DATE OF PURCHASE TO BE FREE FROM DEFECTS IN MATERIALS OR WORKMANSHIP. ANY ROCKSHOX PRODUCT THAT IS RETURNED TO THE FACTORY AND IS FOUND BY ROCKSHOX TO BE DEFECTIVE IN MATERIALS OR WORKMANSHIP WILL BE REPAIRED OR REPLACED AT THE OPTION OF ROCKSHOX, INC. THIS WARRANTY IS THE SOLE AND EXCLUSIVE REMEDY. ROCKSHOX SHALL NOT BE HELD LIABLE FOR ANY INDIRECT, SPECIAL, OR CONSEQUENTIAL DAMAGES.

THE WARRANTY DOES NOT APPLY TO PRODUCTS WHICH HAVE NOT BEEN PROPERLY INSTALLED AND ADJUSTED ACCORDING TO ROCKSHOX INSTALLATION INSTRUCTIONS. THE WARRANTY DOES NOT COVER ANY PRODUCT THAT HAS BEEN SUBJECT TO MISUSE OR WHOSE SERIAL NUMBER HAS BEEN ALTERED, DEFACED OR REMOVED. THIS WARRANTY DOES NOT COVER PAINT DAMAGE OR MODIFICATIONS TO THE PRODUCT. PROOF OF PURCHASE IS REQUIRED.

WARRANTY REPAIR

IF FOR ANY REASON IT SHOULD BE NECESSARY TO HAVE WARRANTY WORK DONE, RETURN THE PRODUCT TO THE PLACE OF PURCHASE. IN THE USA, DEALERS SHOULD CALL FOR A RETURN AUTHORIZATION NUMBER (RA#) PRIOR TO RETURNING PRODUCT. PRODUCTS RETURNED FOR INSPECTION MUST BE SENT FREIGHT PREPAID TO:

RockShox, Inc.

401 Charcot Ave.

FAX 408.428.9757

San Jose, CA 95131

www.rockshox.com

e-mail us at TechSupport@rockshox.com

Toll-Free Technical Support in the USA 800.677.7177

Customers in countries other than the USA should contact their local dealer or distributor.

International Distributor List

Argentina

Broni S.A.
Phone: 54 12 92 3000
FAX: 54 12 92 4453

Australia

Bell Sports Australia
Phone: 61 2 9700 1655
FAX: 61 2 9700 1656

Austria

Barisitz-Austria
Phone: 43 512 39 22 87
FAX: 43 512 39 45 19

Belgium

Vertex Cycle Systems BV
Phone: 31 23 57 18184
FAX: 31 23 57 18606

Brazil

Pacific Bicycle Company
Phone: 55 11 816 2249
FAX: 55 11 816 0544

Canada

Bell Sports Canada
Phone: 514 378 0452
FAX: 514 378 9934

Chile

Bicicletas Belda Limitada
Phone: 56 32 881799
FAX: 56 32 978799

Colombia

Disandina Ltda.
Phone: 576 320 5162
FAX: 576 320 4816

Costa Rica

SPC Bicycletas
Phone: 506 296 3383
FAX: 506 220 3580

Czech Republic

Velo Gepard Ltd.
Phone: 4202 243 15631
FAX: 4202 243 16189

Denmark

ETTOL Bike A/S
Phone: 458 621 4555
FAX: 458 621 4255

Ecuador

Bici Sport
Phone: 5932 248737
FAX: 5932 253691

Estonia

Estonian Unidream
Phone: 372 223 2976
FAX: 372 636 74 70

Finland

Mr. Cool OY
Phone: 358 9 320817
FAX: 358 9 320609

France

Philamy S.A.
Phone: 33 492 70 9700
FAX: 33 492 72 6070

Germany

Sport Import GmbH
 Phone: 49 44 05 9280 0
 FAX: 49 44 05 9280 49

Greece

Gatsoulis Stefanos Imports
 Phone: 30 12512 779
 FAX: 30 12533 960

Guatemala

BYS Importaciones S.A.
 Phone: 502 366 7709
 FAX: 502 366 7708

Holland

Vertex Cycle Systems BV
 Phone: 31 23 57 18184
 FAX: 31 23 57 18606

Hong Kong

Flying Ball Bicycle Company
 Phone: 852 23813661
 FAX: 852 23974406

Hungary

Prokero KFT
 Phone: 361 131 3184
 FAX: 361 331 3184

Iceland

Orminn Hjol Ltd.
 Phone: 354 588 9892
 FAX: 354 588 9896

Italy

Motorquality
 Phone: 39 2 249511
 FAX: 39 2 22476420

Japan

Yoshigai Corporation
 Phone: 81 729 88 5461
 FAX: 81 729 88 5463

Korea

KS Sports
 Phone: 822 548 5408
 FAX: 822 512 3230

Luxembourg

Vertex Cycle Systems BV
 Phone: 31 23 57 18184
 FAX: 31 23 57 18606

Mexico

Grupo Scandi
 Phone: 52 52 81 14 39
 FAX: 52 52 81 27 21

New Zealand

W.H. Whorrall & Co. Ltd.
 Phone: 64 9 6303901
 FAX: 64 9 6303839

Norway

Foss Sykler
 Phone: 47 22382636
 FAX: 47 22382644

Panama

Distribuidora Rali S.A.
 Phone: 507 261 3755
 FAX: 507 261 9123

Peru

Rojo Sports
 Phone: 51 11 816 2249
 FAX: 51 11 816 0544

Poland

Giant Polska S.P. ZOO
 Phone: 48 22 645 14 34
 FAX: 48 22 645 14 36

Portugal

Bicimax
 Phone: 351 44 553276
 FAX: 351 44 553187

Russia

Sportex
 Phone: 7 095 2550831
 FAX: 7 095 2550831

St. Maarten

Tri-Sport International
 Phone: 5995 43462
 FAX: 5995 43928

Singapore

Trekology Bikes 3
 Phone: 65 455 0551
 FAX: 65 441 2967

Slovakia

Velo Gepard Ltd.
 Phone: 4202 243 15631
 FAX: 4202 243 16189

Slovenia

Proloco Trade
 Phone: 386 64 4380200
 FAX: 386 64 3802012

South Africa

Coolheat (SA) (PTY) Ltd.
 Phone: 27 11 493 7430
 FAX: 27 13 493 1794

Spain

K. Motor Dealer S.L.
 Phone: 34 91 637 70 97
 FAX: 34 91 637 72 64

Sweden

Hallman Sports
 Phone: 46 18 56 16 00
 FAX: 46 18 13 24 26

Switzerland

MTB Cycletech AG
 Phone: 41 31 972 5672
 FAX: 41 31 972 3566

Taiwan

Biketech Co. Ltd.
 Phone: 886 22 694 5808
 FAX: 886 22 694 6133

Thailand

Probike Co. Ltd.
 Phone: 662 254 1077
 FAX: 662 254 1078

Trinidad

Let's Ride Instead
 Phone: 868 636 2277
 Fax: 868 636 4181

Turkey

EBSAT
 Phone: 90 212 514 0525
 FAX: 90 212 511 5171

United Kingdom

Caratti Sport Ltd.
 Phone: 44 1 454 201700
 FAX: 44 1 454 202600

Uruguay

International Spote
 Phone: 5982 782498
 FAX: 5982 622532

Venezuela

Bike Sports
 Phone: 582 751 9709
 FAX: 582 751 9730

Programme de maintenance

Vérifiez les points suivants à chaque intervalle de maintenance. Pour de plus amples détails, reportez-vous à la page 8.

A CHAQUE RANDONNÉE (INSPECTEZ) APRÈS HUIT HEURES DE RANDONNÉE UNE FOIS PAR AN

Nettoyez le corps de l'amortisseur Nettoyez et graissez l'oeil de corps Changez l'huile

Vérifiez l'état de détérioration Faites réviser l'amortisseur

Vérifiez la pression dans les chambres à air positive et négative

IMPORTANT : UNE MAINTENANCE RÉGULIÈRE EST INDISPENSABLE AU MAINTIEN D'UN HAUT NIVEAU DE PERFORMANCE, DE SÛRETÉ ET DE LONGÉVITÉ. AUGMENTEZ LA FRÉQUENCE DE VOS OPÉRATIONS DE MAINTENANCE SI VOUS UTILISEZ VOTRE VÉLO DANS DES CONDITIONS D'UTILISATION INTENSES.

Table des Matières

Introduction	19
Caractéristiques	20
Consignes de sécurité	20
Installation	21
Réglage	21
Maintenance	24
Glossaire de termes	25
Suivez le code NORBA	25
Garantie	26
Vue éclatée	9
Liste internationale des distributeurs	15



FÉLICITATIONS ! VOUS VENEZ D'ACQUÉRIR CE QU'IL Y A DE MIEUX EN MATIÈRE DE COMPOSANTS DE SUSPENSION. LES PRODUITS ROCKSHOX SONT CONSTITUÉS DE MATÉRIAUX LÉGERS ET DE HAUTE RÉSISTANCE, ET CONÇUS POUR CONJUGUER HAUTE PERFORMANCE ET FACILITÉ DE MAINTENANCE. CE MANUEL CONTIENT DES INFORMATIONS IMPORTANTES EN CE QUI CONCERNE LA SÉCURITÉ DE L'INSTALLATION, L'OPÉRATION ET LA MAINTENANCE DE VOTRE ACHAT. NOUS VOUS INCITONS À EN LIRE ATTENTIVEMENT LE CONTENU, À EN RETENIR LES DÉTAILS, ET À SUIVRE NOS RECOMMANDATIONS POUR VOUS AIDER À RENDRE VOTRE EXPÉRIENCE EN VÉLO TOUT TERRAIN AGRÉABLE ET SANS PROBLÈME.



Caractéristiques de l'amortisseur arrière SID

- Technologie innovante : ressort pneumatique avec chambres positive et négative
- Réglage externe des ressorts pneumatiques positif et négatif
- Réglage externe du rebond (certains modèles)
- Conception intégrée ultra légère
- Réglé pour fonctionner avec les fourches avant RockShox (Tango)

EQUIPEMENT STANDARD (AVEC LES AMORTISSEURS ARRIÈRE SID)

Quincaillerie de fixation

Manuel de l'utilisateur

Adaptateur pneumatique à apport constant

EQUIPEMENT OPTIONNEL

Pompe (avec valve Schrader)

Consignes de sécurité à l'usage de l'acheteur

Monter à vélo est dangereux. Ne pas entretenir ou inspecter régulièrement votre vélo l'est encore davantage. Il est également dangereux de ne pas lire ces instructions.

1. Avant de monter à vélo, assurez-vous que vos freins sont montés et réglés comme il faut. Un mauvais fonctionnement des freins expose le cycliste à des blessures graves, voire fatales.
2. Si l'amortisseur perd de l'huile ou si vous entendez un bruit de trop-plein, descendez immédiatement de votre vélo, et faites inspecter l'amortisseur par votre revendeur ou appelez RockShox. Continuer de monter dans ces conditions risquerait d'entraîner la perte de contrôle du vélo et d'exposer le cycliste à des blessures graves, voire fatales.
3. N'utilisez que des pièces RockShox garanties d'origine. Utiliser des pièces détachées d'occasion ou de marque autre que RockShox annule la garantie et risque de provoquer une défaillance structurale de l'amortisseur qui risquerait d'entraîner la perte de contrôle du vélo et d'exposer le cycliste à des blessures graves, voire fatales.

Instructions d'installation

Il est extrêmement important que votre amortisseur SID de RockShox soit installé correctement par un technicien qualifié disposant des outils appropriés. Consultez les instructions du fabricant de votre vélo pour vous assurer une installation appropriée de votre amortisseur SID. Monter un vélo équipé d'un amortisseur mal installé est extrêmement dangereux, et risque d'exposer le cycliste à des blessures graves, voire fatales.

Réglage de l'amortisseur arrière

Vous pouvez régler votre amortisseur SID de RockShox en fonction de votre poids, de votre style, ou du terrain en ajustant la pression. Cet amortisseur est conçu pour offrir, selon le réglage, les meilleures conditions soit pour une descente en douceur, soit pour une longue montée, ou encore pour un mélange des deux.

Lorsque vous réglez votre suspension, n'effectuez qu'un seul changement à la fois, et notez-le systématiquement. Cette façon de faire demande une certaine patience, mais elle vous permettra de comprendre comment chaque changement se ressent à l'usage. Testez chaque modification sur une piste familière. Pour avoir une bonne idée de l'ampleur des variations possibles, il peut s'avérer utile d'effectuer des tests en passant d'un extrême à l'autre (pression basse puis haute, ou rebond maximum puis minimum). Vos notes vous permettront de déterminer les réglages qui vous conviennent, et ceux que vous pourriez essayer. Demandez aux marchands de vélos ou à d'autres cyclistes de votre région ce qui marche pour eux. Ils constituent en général la meilleure source de renseignements possible, mais n'hésitez pas à contacter RockShox pour toute question concernant vos besoins particuliers. Vous trouverez une liste de numéros de téléphone à la page 11.

Réglage de la pression (importance du rebond)

La pression de l'amortisseur dépend de votre poids et de votre style. Vous pouvez modifier la pression tant dans la chambre à air positive que négative (voir fig. 1). Les pages suivantes expliquent la différence entre pression positive et pression négative, et comment régler l'une ou l'autre.



Fig. 1

CHAMBRE À AIR DE COMPRESSION (POSITIVE)

La valve située du côté le plus large de l'amortisseur permet de régler la pression positive, qui détermine l'importance du rebond, c.-à-d. la fermeté de l'amortisseur (voir fig. 1). Plus il y a d'air, plus l'amortisseur est ferme.

Les cyclistes plus lourds ou au style plus agressif préféreront une pression plus élevée dans la chambre de compression. Vous pouvez modifier la pression dans la chambre à air positive à l'aide d'une pompe manuelle (rebond principal).

OBJECTIF :

Déterminez la pression qui vous permettra d'obtenir un débattement maximal. Il est bon de laisser l'amortisseur toucher le fond de temps en temps.

Suivez les instructions ci-dessous pour ajuster la chambre à air positive afin d'obtenir le rebond adéquat :

1. Repérez la valve positive (de compression) (fig. 1)

CONSEIL : VOUS TROUVEREZ SUR L'AMORTISSEUR UNE INDICATION DES VARIATIONS DE PRESSION POSSIBLES. LES VALEURS INDIQUÉES SONT PARTICULIÈREMENT ÉTUDIÉES POUR VOTRE VÉLO ET DEVRAIENT VOUS SERVIR DE

POINT DE RÉFÉRENCE POUR SÉLECTIONNER LA PRESSION À APPLIQUER. LES CYCLISTES PLUS LÉGERS TROUVERONT AVANTAGE À COMMENCER PAR LA LIMITE INFÉRIEURE, ET LES PLUS LOURDS PAR LA LIMITE SUPÉRIEURE. NOUS VOUS RECOMMANDONS DE COMMENCER PAR UNE PRESSION PLUTÔT SOUPLE, ET D'AUGMENTER PROGRESSIVEMENT.

- Retirez le capuchon de la valve. Il arrive qu'une légère accumulation de pression fasse sauter le capuchon. C'est tout à fait normal. Veillez à ne pas perdre le capuchon.
- Vissez légèrement, sans trop serrer, l'adaptateur d'apport constant sur la valve d'air positive.
- Remplissez l'amortisseur jusqu'à obtenir le rebond souhaité (pression).
- Avec la pompe en place, poussez légèrement sur la selle pour sentir l'effet de l'apport d'air.
- Notez la pression finale (en bar).
- Lorsque le rebond vous convient, retirez la pompe.
- Remplacez le capuchon, en le serrant à la main.

CHAMBRE À AIR NÉGATIVE

La valve négative (voir fig. 1) permet de régler les caractéristiques (sensations) de votre vélo. Vous pouvez modifier la pression du rebond négatif à l'aide d'une pompe manuelle.

Une pression de rebond négatif élevée garantit une descente en douceur, tandis qu'une pression moindre est idéale pour la montée.

Suivez les instructions ci-dessous pour ajuster la pression négative selon vos besoins :

- Repérez la valve négative.

Conseil : Vous trouverez autour de la valve une indication des variations de pression possibles. Ceci vous donnera un point de référence pour déterminer la pression négative, qui égale la pression positive +/- 1,4 bars. Par exemple, si la pression de la valve positive est égale à 10,3 bars, alors :

$10,3 - 1,4 = 8,9$ bars pour une randonnée tout-terrain

$10,3 + 1,4 = 11,7$ bars pour une descente confortable

Ainsi, une valeur comprise entre 8,9 et 11,7 bar convient pour un mélange de tout-terrain et de descente.

- Retirez le capuchon de la valve. Il arrive qu'une légère accumulation de pression fasse sauter le capuchon. C'est tout à fait normal. Veillez à ne pas perdre le capuchon.
- Vissez légèrement, sans trop serrer, l'adaptateur d'apport constant sur la valve d'air négative.
- Remplissez l'amortisseur à la pression désirée. Nous vous recommandons de commencer par une pression équivalente ou légèrement inférieure à celle de la chambre positive. Notez l'accroissement de l'affaissement, et l'assouplissement de l'amortisseur à mesure que vous ajoutez de l'air. Ajoutez la pression négative désirée.
- Lorsque le rebond vous convient, retirez la pompe.
- Remplacez le capuchon.

CONSEIL POUR RÉGLAGES PERFECTIONNÉS

- La pression négative contrôle l'affaissement. En général, l'affaissement correspond à 25% du débattement de roue disponible pour le tout-terrain, et 33% pour la descente
- Un style agressif ou un terrain accidenté nécessiteront un rebond plus accentué.

- Pour une direction plus rapide et plus vive, diminuez l'affaissement à l'arrière du vélo (ceci augmente l'angle de tête). Pour une direction plus lente et plus stable, augmentez l'affaissement à l'arrière du vélo (pour diminuer l'angle de tête)
- Une pression négative inférieure à la pression positive facilite la montée.
- Une pression négative supérieure à la pression positive assouplit la descente.
- Pour déterminer le débattement maximum, videz presque entièrement les deux chambres (positive et négative), ne laissant que 3.4 bars dans chaque. Placez une attache zippée autour du corps de façon à ce que l'amortisseur, en se comprimant, fasse descendre l'attache le long du corps, indiquant ainsi le débattement maximum. Poussez sur la selle ou enfourchez le vélo pour déterminer le débattement maximum (n'oubliez pas de remplir l'amortisseur avant votre prochaine sortie).

Ajustage de l'amortissement (certains modèles)

L'amortisseur SID comporte un bouton rouge destiné au réglage de l'amortissement, permettant d'ajuster l'extension ou le retour de l'amortisseur. Le rebond de l'amortisseur est le plus rapide lorsque le bouton est tourné à fond dans le sens contraire des aiguilles d'une montre, et le plus lent lorsque le bouton est tourné à fond dans le sens des aiguilles d'une montre.

RÉGLAGE CONSEILLÉ POUR LA DESCENTE :

Pour obtenir le rebond idéal pour la descente, procédez à un test sur route ondulée. Choisissez une route type qui comporte des surfaces ondulées ou des bosses de freinage. Passez sur les ondulations ou les bosses de freinage deux ou trois fois, de manière à déterminer la régularité sur les bosses. Le rebond est idéal lorsque la roue suit chaque bosse d'un mouvement uniforme. La première bosse doit être aussi confortable que la dernière.

COMMENT DÉTERMINER UN REBOND EXCESSIF :

Si le retour d'amortisseur est lent (l'amortisseur est souple sur les premières bosses, mais se raidit au passage des dernières), alors le rebond est trop élevé. Ceci conduira également la roue arrière à sauter sur les bosses au freinage. Pour obtenir une performance plus uniforme et améliorer le freinage, tournez le bouton de réglage du rebond d'un demi-tour dans le sens contraire des aiguilles d'une montre et refaites l'essai.

COMMENT DÉTERMINER UN REBOND INSUFFISANT :

Le rebond est insuffisant lorsque le retour d'amortisseur se fait trop vite, et que le vélo donne des ruades ou que la roue arrière dérape. Tourner le bouton de réglage du rebond d'un demi-tour dans le sens des aiguilles d'une montre vous permettra de ralentir le rebond pour un passage des bosses plus uniforme, et un freinage amélioré.

CONSEILS AVANCÉS

Sur les vélos dont le rebond doit être ajusté pour la montée, diminuez le rebond jusqu'à éliminer les à-coups.

Maintenance

L'amortisseur SID de RockShox est conçu pour offrir un haut niveau de performance. Pour garantir ce niveau,

nous vous recommandons de veiller à ce que le corps de l'amortisseur demeure aussi propre que possible, et de le faire entièrement réviser par un mécanicien qualifié disposant des outils adéquats une fois par an, plus souvent si vous utilisez votre vélo dans des conditions d'utilisation intenses. Un manuel d'entretien détaillant les procédures de révision est disponible auprès de votre distributeur, ou en contactant directement RockShox au 1.800.677.7177.

Avec le temps, l'huile de l'amortisseur se dégrade, et celui-ci commence à perdre de son efficacité, se comprimant et rebondissant trop rapidement. Ceci indique qu'il est temps de faire réviser l'amortisseur. Cette opération de maintenance ne devrait être effectuée que par un distributeur RockShox, ou en appelant RockShox directement.

Graissage du ressort pneumatique – Une fois par an. Pour cette opération, il vous faudra disposer du manuel d'entretien RockShox Deluxe le plus récent.

Inspection et remplacement des joints – Pour cette opération, il vous faudra disposer du manuel d'entretien RockShox Deluxe le plus récent.

Pression du ressort – A vérifier à chaque randonnée ; il se peut qu'une légère perte d'air se produise sur quelques jours.

ENTRETIEN DE ROUTINE :

Nettoyage de votre amortisseur SID : Nettoyez l'amortisseur avec une brosse à dents et un détergent doux. Assurez-vous que le corps et les bagues d'œil de corps sont toujours propres et bien graissés.

IMPORTANT : N'UTILISEZ JAMAIS DE NETTOYEUR SOUS PRESSION POUR NETTOYER L'AMORTISSEUR !

Intervalle entre les changements d'huile : Nous recommandons de changer l'huile de l'amortisseur une fois par an. Cependant, dans des conditions d'utilisation intenses, l'huile devra être changée plus souvent.

Fuites d'huile : Réparables à 100% Contactez un distributeur RockShox local, ou RockShox directement, pour faire réparer l'amortisseur.

Glossaire des termes

Débattement total - La condition lorsque le débattement de suspension a été complètement utilisé.

Mouvement de compression - Le mouvement « ascendant » d'une fourche qui se déplace en réponse à un impact de bosse.

Force d'amortissement – La force requise pour déplacer un amortisseur (huile générale) à n'importe quelle vitesse donnée.

Forgé - Un processus de formage en métal qui optimise la structure de matériau en utilisant de très grandes forces agissant sur un moule de matrice dans lequel le matériau à former est placé.

Géométrie - Terme descriptif relatif aux longueurs et aux angles utilisés dans la conception d'une bicyclette.

Angle de tête - Angle contre lequel s'appuie l'axe de direction de la verticale.

Bain d'huile - Système de réservoir à huile utilisé pour lubrifier les parties internes de la fourche.

Monocoque - Un assemblage de bras inférieur unique autoporteur avec les deux bras de fourche et la béquille de fourche moulés d'une seule pièce.

Précharge - Le montant de contrainte (soit en livres soit en pouces) auquel un ressort est comprimé

lorsqu'il est adapté sur un amortisseur détendu.

Rebond - L'extension ou la direction de retour de l'amortisseur ou du système de suspension.

Affaissement - Compression de la suspension provoquée par le poids du cycliste.

Tension de ressort - Le montant de force requis pour infléchir un ressort d'une certaine distance.

Conique - épaisseur de paroi variable d'un tube. Une conception visant à optimiser le placement du matériau, permettant ainsi la plus efficace des conceptions par rapport avec les charges.

Position haute - La position de la fourche en « haut » de sa course, ou lorsque la fourche est complètement étendue. L'action de l'extension complète de la fourche.

Règles du cyclisme IMBA

- N'emprunter que des pistes cyclables ouvertes
- Ne pas laisser de traces
- Contrôler sa bicyclette
- Toujours céder la priorité
- Ne jamais effrayer les animaux

Garantie

ROCKSHOX, INC. GARANTIT SES PRODUITS CONTRE TOUS DÉFAUTS DE MAIN D'ŒUVRE OU DE MATIÈRES PREMIÈRES POUR UNE DURÉE D'UN AN À COMPTER DE LA DATE D'ACHAT. TOUT PRODUIT ROCKSHOX RETOURNÉ À L'USINE ET COMPORTANT DES DÉFAUTS DE MAIN D'ŒUVRE OU DE MATIÈRE PREMIÈRE SERA REMPLACÉ OU RÉPARÉ, SELON LA DÉCISION DE ROCKSHOX, INC. CETTE GARANTIE CONSTITUE L'UNIQUE RECOURS. ROCKSHOX NE PEUT ÊTRE TENU RESPONSABLE DES DOMMAGES ENCOURUS DE FAÇON INDIRECTE, SPÉCIALE OU CONSÉCUTIVE.

CETTE GARANTIE NE COUVRE PAS LES PRODUITS QUI N'ONT PAS ÉTÉ INSTALLÉS ET AJUSTÉS CORRECTEMENT, SELON LES INSTRUCTIONS DE ROCKSHOX. CETTE GARANTIE NE COUVRE PAS LES PRODUITS SOUMIS À UN MAUVAIS USAGE, OU DONT LE NUMÉRO DE SÉRIE A ÉTÉ MODIFIÉ, ENDOMMAGÉ OU EFFACÉ. CETTE GARANTIE NE COUVRE PAS LES DOMMAGES À LA PEINTURE OU LES MODIFICATIONS APPORTÉES AU PRODUIT. UNE PREUVE D'ACHAT EST EXIGÉE.

RÉPARATION SOUS GARANTIE

SI, POUR UNE RAISON QUELCONQUE, VOTRE PRODUIT NÉCESSITE UN SERVICE COUVERT PAR LA GARANTIE, RAPPORTEZ-LE À VOTRE REVENDEUR. LES REVENDEURS OPÉRANT SUR LE SOL AMÉRICAIN DOIVENT CONTACTER ROCKSHOX POUR OBTENIR UN NUMÉRO D'AUTORISATION DE RENVOI (RA#) AVANT DE RENVOYER LE PRODUIT. AUX ÉTATS-UNIS, LES PRODUITS RENVOYÉS POUR INSPECTION DOIVENT ÊTRE EXPÉDIÉS EN PORT PAYÉ À :

RockShox, Inc.

401 Charcot Ave. Télécopie : 408.428.9757

San Jose, CA 95131

www.RockShox.com

Adressez votre courrier électronique à TechSupport@RockShox.com

Assistance technique en appel gratuit aux États-Unis : 800.677.7177

Wartungsintervalle auf einen Blick

Führen Sie die folgende Überprüfung für jedes Wartungsintervall durch. Weitere Details finden Sie auf Seite 8.

VOR JEDER FAHRT (ÜBERPRÜFEN)	NACH 8 STUNDEN FAHRT	EINMAL IM JAHR
Wischen Sie das Gehäuse des Federelements sauber	Säubern und fetten	Sie die Befestigungs-Öse am Gehäuse Wechseln Sie das Öl
Überprüfen Sie auf Schäden		Überholen Sie das Federelement
Überprüfen Sie den Luftdruck in der positiven und der negativen Luftkammer		

WICHTIG: UM DIE HOHE LEISTUNGSFÄHIGKEIT, SICHERHEIT UND LANGE LEBENSDAUER ZU ERHALTEN, MÜSSEN SIE DAS FEDERELEMENT REGELMÄßIG WARTEN. FÜHREN SIE DIE WARTUNG HÄUFIGER DURCH, WENN SIE UNTER EXTREMEN BEDINGUNGEN FAHREN.

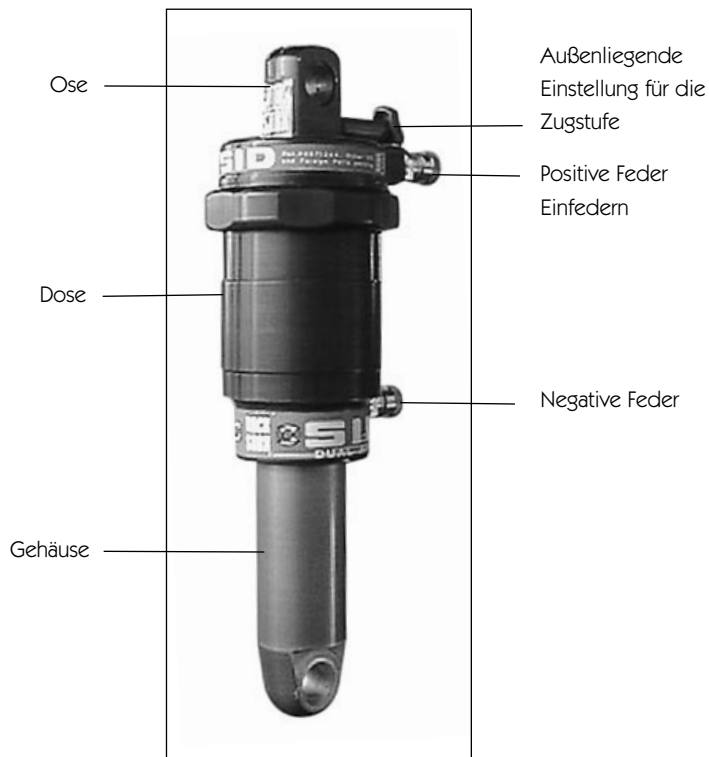
Inhaltsverzeichnis

Einführung	29
Merkmale	30
Sicherheitsanweisungen	30
Einbau	31
Einstellung	31
Wartung	35
Glossar der Begriffe	36
Garantie	37
Explosionsdarstellung	9
Internationale Liste der Vertragshändler	15



HERZLICHEN GLÜCKWUNSCH! SIE HABEN EINE FEDERUNGSKOMPONENTE DER SPITZENKLASSE ERWORBEN. ROCKSHOX PRODUKTE WERDEN AUS LEICHTEN, HOCHFESTEN MATERIALIEN AUF DEM NEUESTEN STAND DER TECHNIK HERGESTELLT.

ROCKSHOX PRODUKTE VEREINEN HOHE LEISTUNG MIT WARTUNGSFREUNDLICHKEIT. DIESE ANLEITUNG ENTHÄLT WICHTIGE INFORMATIONEN ZUM SICHEREN EINBAU, DER VERWENDUNG UND PFLEGE DIESER KOMPONENTE. LESEN SIE DIE ANLEITUNG SORGFÄLTIG DURCH, MACHEN SIE SICH MIT IHREM INHALT VERTRAUT, UND BEFOLGEN SIE UNSERE EMPFEHLUNGEN, UM LANGE FREUDE AM FAHREN MIT IHREM FAHRRAD ZU HABEN.



Merkmale des SID Federelements für Hinterrad-Federungen

- Neue Luftfederungs-Technologie mit positiver und negativer Luftkammer
- Außenliegende Einstellung der positiven und negativen Luftfedern
- Außenliegende Einstellung der Zugstufe (bei einigen Modellen)
- Superleichte, integrierte Konstruktion
- Zur Verwendung mit RockShox Federgabeln vorgesehen (Tango-getunt).

SERIENAUSSTATTUNG (WIRD MIT DEN SID FEDERELEMENTEN FÜR HINTERRAD-FEDERUNGEN GELIEFERT)

Befestigungsteile

Bedienungsanleitung

Adapter für konstante Füllung

ZUSÄTZLICH ERHÄLTLICH

Pumpe (mit Auto-Ventil)

Sicherheitshinweise für Verbraucher

Fahrrad fahren ist gefährlich. Es ist noch gefährlicher, wenn Ihr Fahrrad nicht fachgerecht überprüft und gewartet wird. Es ist außerdem gefährlich, diese Anleitung nicht zu lesen.

1. Bevor Sie mit dem Fahrrad fahren, überzeugen Sie sich, daß die Bremsen richtig montiert und eingestellt sind. Wenn die Bremsen nicht richtig funktionieren, kann der Fahrer schwere und/oder tödliche Verletzungen erleiden.
2. Sollte jemals Öl aus dem Federelement austreten oder sollten Geräusche auftreten, die auf Durchschlagen nach oben hinweisen, dürfen Sie das Fahrrad nicht mehr fahren. Lassen Sie das Federelement von Ihrem Fachhändler überprüfen oder wenden Sie sich an RockShox. Wenn Sie das Fahrrad benutzen, obwohl das Federelement diese Mängel aufweist, können Sie die Kontrolle über das Fahrrad verlieren und schwere und/oder lebensgefährliche Verletzungen erleiden.
3. Verwenden Sie immer Originalteile von RockShox. Durch die Verwendung von Fremd-Teilen wird die Garantie ungültig. Außerdem können dadurch Defekte am Federelement verursacht werden. Wenn das Federelement versagt, können Sie die Kontrolle über das Fahrrad verlieren und schwere oder tödliche Verletzungen erleiden.

Einbauanleitung

Es ist extrem wichtig, daß das RockShox SID-Federelement fachgerecht von einem Fachmann mit den richtigen Werkzeugen eingebaut wird. Befolgen Sie die Montageanweisungen des Fahrradherstellers zum fachgerechten Einbau des SID-Federelements. Falsch eingebaute SID-Federelemente stellen eine beträchtliche Gefahr dar und können zu schweren Verletzungen führen.

Einstellen des Hinterrad-Federelements

Durch Ändern des Luftdrucks im SID Federelement für Hinterrad-Federungen können Sie die Federeigenschaften auf Ihr Gewicht, Ihren Fahrstil und das Gelände einstellen.

Beim Einstellen der Federung sollten Sie immer nur jeweils eine Änderung vornehmen und diese notieren. Diese Vorgehensweise erfordert Geduld, aber Sie merken, wie sich jede Änderung auf das Fahrverhalten auswirkt. Probieren Sie die Federung auf einer vertrauten Strecke aus, und stellen Sie sie dann ein. Damit Sie ein Gefühl dafür bekommen, wie weit die Federung einstellbar ist, können Sie die Federung zur Probe bis ans Ende des Einstellbereichs verstellen (hoher bzw. niedriger Luftdruck oder maximale bzw. minimale Zugstufe). Anhand Ihrer Aufzeichnungen wissen Sie, welche Einstellungen Sie bereits versucht haben und welche Sie noch ausprobieren sollten. Erkundigen Sie sich bei Ihrem Fachhändler und/oder bei anderen Fahrern, welche Einstellungen sich bewährt haben. Hier erhalten Sie in den meisten Fällen die besten Informationen, aber bei speziellen Fragen zur Einstellung helfen wir gerne. Die entsprechenden Telefonnummern finden Sie auf Seite 11.

Auswahl des Luftdrucks (Federhärte)

Der Luftdruck im Federelement sollte je nach Körpergewicht und Fahrstil gewählt werden. Sie können den Luftdruck sowohl in der positiven als auch der negativen Luftkammer ändern (s. Abb. 1). Im folgenden ist der Unterschied zwischen dem positiven und dem negativen Luftdruck beschrieben, und wie diese eingestellt werden.

LUFTKAMMER BEIM EINFEDERN (POSITIV)

Das Ventil am dicken Teil des Federelements dient zum Einstellen des positiven Luftdrucks (Abb. 1). Wenn Sie den positiven Luftdruck einstellen, ändert sich die Federhärte des Federelements. Je stärker Sie das Federelement aufpumpen, desto härter wird es.

Falls Sie ein schwerer oder aggressiver Fahrer sind, empfehlen wir, den Luftdruck in der Luftkammer beim Einfedern zu erhöhen.

Mit einer Handpumpe können Sie den Luftdruck in der positiven Luftkammer (Haupt-Feder) ändern.

ZIEL:

Finden Sie den Luftdruck, bei dem Sie so viel Federweg wie möglich zur Verfügung haben. Unter idealen Bedingungen setzt die Federung von Zeit zu Zeit auf.

So stellen Sie die positive Luftkammer ein, um die richtige Federhärte zu erhalten:

1. Finden Sie das positive Luftventil (Einfedern) (Abb. 1).

TIP: AM FEDERELEMENT SEHEN SIE EINEN AUFKLEBER, AUF DEM DER BEREICH ANGEZEIGT IST, IN DEM SICH DER LUFTDRUCK BEWEGEN SOLLTE. DIESER BEREICH HÄNGT VON IHREM FAHRRAD AB. ER SOLLTE ALS ANFANGSPUNKT GENOMMEN WERDEN, WENN SIE DEN LUFTDRUCK EINSTELLEN. LEICHTERE FAHRER SOLLTEN

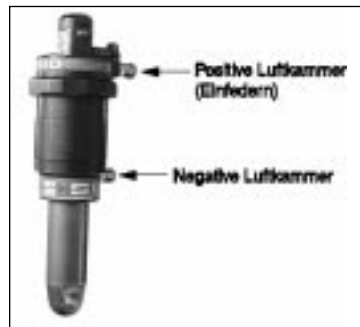


Fig. 1

AN DER UNTEREN GRENZE BEGINNEN, WÄHREND SCHWERERE FAHRER DEN LUFTDRUCK AM ANFANG AN DER OBEREN GRENZE EINSTELLEN SOLLTEN. WIR EMPFEHLEN, MIT EINER WEICHEREN EINSTELLUNG DES FEDERELEMENTS ZU BEGINNEN UND DANN SCHRITTWEISE DEN LUFTDRUCK ZU ERHÖHEN.

2. Entfernen Sie die Ventilkappe am positiven Luftventil. Unter der Ventilkappe kann sich ein wenig Druck aufbauen, so daß diese wegfliht. Dies ist normal. Achten Sie darauf, daß Sie die Kappe nicht verlieren.
3. Schrauben Sie den Adapter für die konstante Füllung auf das positive Luftventil. Schrauben Sie ihn nicht zu fest auf.
4. Füllen Sie das Federelement mit dem gewünschten Luftdruck.
5. Drücken Sie den Sattel des Fahrrads vorsichtig nach unten, während die Pumpe angebracht ist. Normalerweise fühlen Sie jetzt bereits den Unterschied durch den erhöhten Luftdruck.
6. Notieren Sie sich den Druck am Druckanzeiger.
7. Entfernen Sie die Pumpe, wenn Sie den gewünschten Druck erreicht haben.
8. Drehen Sie die Ventilkappe mit der Hand fest.

NEGATIVE LUFTKAMMER

Mit dem negativen Luftventil (Abb. 1) stellen Sie die Federeigenschaften (Fahrgefühl) Ihres Fahrrads ein. Sie können den Luftdruck der negativen Luftfeder mit einer Handpumpe einstellen.

Ein höherer Druck in der negativen Luftfeder ist ideal für weich gefedertes Fahren bergab. Ein geringerer Druck ist ideal zum Fahren bergauf.

So stellen Sie die negative Luftfeder ein, um die gewünschten Federeigenschaften zu erhalten:

1. Finden Sie das negative Luftventil.

TIP: AUF DEM AUFKLEBER AM VENTIL STEHT DER EINSTELLBEREICH DES LUFTDRUCKS. DAMIT HABEN SIE EINEN ANFANGSPUNKT FÜR DEN NEGATIVEN LUFTDRUCK, DER GLEICH DEM POSITIVEN LUFTDRUCK +/- 20 PSI (1,4 BAR) IST. WENN SIE Z. B. 150 PSI (10,3 BAR) IM POSITIVEN LUFTVENTIL HABEN, DANN BENÖTIGEN SIE UNGEFÄHR:

150 Psi - 20 Psi = 130 Psi (10,3 bar - 1,4 bar = 8,9 bar) für eine Cross Country Fahrt.

150 Psi + 20 Psi = 170 Psi (10,3 bar + 1,4 bar = 11,7) für eine weich gefederte Fahrt bergab.

Zwischen 130 und 170 Psi (8,9 und 11,7 bar) finden Sie einen optimalen Wert, wenn Sie sowohl Cross Country als auch Downhill fahren.

2. Entfernen Sie die Ventilkappe am negativen Luftventil. Unter der Ventilkappe kann sich ein wenig Druck aufbauen, so daß diese wegfliht. Dies ist normal. Achten Sie darauf, daß Sie die Kappe nicht verlieren.
3. Schrauben Sie den Adapter für die konstante Füllung auf das negative Luftventil. Schrauben Sie ihn nicht zu fest auf.
4. Füllen Sie das Federelement mit dem gewünschten Luftdruck. Wir empfehlen Ihnen, mit dem gleichen Druck wie in der positiven Luftkammer oder ein bißchen weniger Druck zu beginnen. Sie werden bemerken, wie die Nachgiebigkeit des Federelements zunimmt und das Federelement weicher anspricht, wenn Sie den Luftdruck im Federelement erhöhen. Pumpen Sie die negative Luftkammer mit dem gewünschten Druck auf.
5. Entfernen Sie die Pumpe, wenn Sie den gewünschten Druck erreicht haben.
6. Schrauben Sie die Ventilkappe wieder fest.

EINSTELLTIPS FÜR FORTGESCHRITTENE

- Mit dem negativen Luftdruck stellen Sie auch die Nachgiebigkeit des Federelements ein. Normalerweise beträgt die Nachgiebigkeit 25% des gesamten verfügbaren Federwegs beim Cross-Country und 33% beim Downhill.
 - Bei aggressivem Fahren oder in schwierigem Gelände kann eine höhere Federhärte angemessen sein.
 - Eine schnellere, besser ansprechende Lenkung wird durch Verringern der Nachgiebigkeit hinten am Fahrrad erreicht (hierbei wird der Steuerrohrwinkel vergrößert). Durch Erhöhung der Nachgiebigkeit hinten am Fahrrad (Verkleinerung des Steuerrohrwinkels) wird die Lenkung langsamer und laufruhiger.
- ∫ Mit geringerem negativem als positivem Luftdruck wird das Fahren bergauf erleichtert.
- ∫ Höherer negativer als positiver Luftdruck bringt eine weichere Federung fürs Fahren bergab.
- Um den maximal verfügbaren Federweg auszuprobieren, senken Sie den Luftdruck in beiden Luftkammern (positiv und negativ) auf 50 Psi (3,4 bar) ab. Befestigen Sie einen Kabelbinder am Gehäuse, so daß dieser nach unten geschoben wird, wenn das Federelement zusammengedrückt wird. Damit wird der maximale Federweg markiert. Drücken Sie den Sattel des Fahrrads nach unten oder fahren Sie mit dem Fahrrad, um den maximalen Federweg zu bestimmen (Überzeugen Sie sich, daß das Federelement mit Luft gefüllt ist, bevor Sie mit dem Fahrrad fahren).

Einstellen der Zugstufe (bei einigen Modellen)

Die SID ist mit einem roten Knopf ausgestattet, mit dem die Zugstufe (Dämpfung beim Ausfedern) eingestellt wird. Die Zugstufe kontrolliert das Auseinanderziehen oder die Rückstellung des Federelements. Das Ausfedern des Federelements erfolgt am schnellsten, wenn der Einstellknopf entgegen dem Uhrzeigersinn bis zum Anschlag gedreht wird. Das Federelement federt am langsamsten aus, wenn der Einstellknopf im Uhrzeigersinn bis zum Anschlag gedreht wird.

EINSTELLUNG FÜR BERGABFAHRTEN:

Führen Sie eine Probefahrt auf einer Rüttelpiste durch, um die Zugstufe beim Bergab-Fahren optimal einzustellen. Fahren Sie auf einer Strecke mit Bodenwellen oder Verkehrsberuhigungs-Schwellen. Durchfahren Sie diese Strecke mehrmals, und achten Sie auf Gleichmäßigkeit beim Überfahren der Bodenwellen. Die Zugstufe ist richtig eingestellt, wenn das Rad jeder Welle folgt und sich durchgängig ruhig anfühlt. Die erste Welle sollte genauso ruhig wie die letzte durchfahren werden.

SYMPTOME EINER ZU HOHEN ZUGSTUFE:

Eine langsame Rückbewegung des Federelements, wobei sich das Federelement auf den ersten Wellen gut anfühlt und danach immer härter reagiert, bedeutet, daß die Zugstufe zu hart eingestellt ist. Außerdem springt das Hinterrad beim Bremsen über die Wellen. Um ein gleichmäßigeres Federverhalten und besseres Bremsen zu erhalten, drehen Sie den Einstellknopf für die Zugstufe um eine halbe Drehung entgegen dem Uhrzeigersinn, und testen Sie erneut.

SYMPTOME EINER ZU NIEDRIGEN ZUGSTUFE:

Die Zugstufe ist zu niedrig eingestellt, wenn die Rückbewegung des Federelements zu schnell erfolgt, so daß es scheint, als ob das Fahrrad Sie abwerfen möchte, oder das Hinterrad nach außen springt. Drehen Sie den

Einstellknopf für die Zugstufe um eine halbe Drehung im Uhrzeigersinn, um das Ausfedern zu verlangsamen, damit das Fahren und Bremsen auf Bodenwellen ruhiger wird.

TIPS FÜR FORTGESCHRITTENE

Bei Fahrrädern, deren Federung zum Fahren bergauf eingestellt werden muß, drehen Sie die Zugstufen-Einstellung im Uhrzeigersinn, bis das Wippen aufhört.

Wartung

Das RockShox SID- Federelement ist auf Hochleistung ausgelegt. Um eine einwandfreie Funktion zu garantieren, sollte das Gehäuse des Federelements so sauber wie möglich gehalten werden. Es wird außerdem empfohlen, das Federelement einmal pro Jahr oder häufiger, wenn Sie unter extremen Bedingungen fahren, von einem qualifizierten Mechaniker, der über die richtigen Werkzeuge verfügt, überholen zu lassen. Eine Wartungsanleitung, in der die Überholung erläutert wird, können Sie von Ihrem Vertragshändler, direkt von RockShox oder dem Importeur erhalten.

Im Verlauf der Zeit nimmt die Güte des Öls im Federelement ab, so daß die Dämpfung des Federelements nachläßt. In diesem Fall erfolgt das Ein- und Ausfedern zu schnell. Dann ist eine Wartung des Federelements erforderlich. Diese Wartung sollte nur von einem RockShox-Vertragshändler durchgeführt werden. Sie können sich auch direkt an RockShox oder den Importeur wenden.

Schmieren der Luftfeder - Einmal im Jahr. Für diese Wartung benötigen Sie die neueste RockShox Deluxe Wartungsanleitung.

Überprüfung und Austausch der Dichtungen - Für diese Wartung benötigen Sie die neueste RockShox Deluxe Wartungsanleitung.

Luftdruck der Luftfeder - Überprüfen Sie den Luftdruck vor jeder Fahrt. Im Lauf einiger Tage kann ein wenig Luft entweichen.

ALLGEMEINE PFLEGE:

Waschen Ihres SID-Federelements: Reinigen Sie das Federelement mit einer milden Seifenlauge und einer Zahnbürste. Achten Sie darauf, daß die Lagerhülsen der Schaft- und Gehäuseösen sauber und gefettet sind.

WICHTIG: VERWENDEN SIE NIE EINEN HOCHDRUCKREINIGER ZUM SÄUBERN DES FEDERELEMENTS!

Ölwechselintervalle: Wir empfehlen, das Öl im Federelement jährlich zu wechseln. Falls Sie jedoch unter extremen Bedingungen fahren, sollte das Öl häufiger als einmal im Jahr gewechselt werden.

Falls Öl austritt: 100% Demontierbar. Wenden Sie sich an Ihren RockShox-Vertragshändler oder direkt an RockShox, um das Federelement für Hinterrad-Federungen warten zu lassen.

Glossar der Begriffe

- Durchschlagen** - die Feder federt bis zum unteren Anschlag ein.
- Einfedern** - die Feder bewegt sich nach oben, um einen Stoß abzufangen.
- Dämpfung** - Die bei einer bestimmten Geschwindigkeit zur Bewegung eines Stoßdämpfers erforderliche Kraft.
- Schmieden** - ein Metallverarbeitungsverfahren zur Optimierung der Materialstruktur, bei dem das in eine Gußform gepreßte Metall unter Einwirkung höchster Kräfte bearbeitet wird.
- Geometrie** - die Winkel und Rohrlängen eines Fahrrad-Rahmens.
- Steuerrohrwinkel** - der Winkel, um den die Lenkachse von der Vertikalen abweicht.
- Ölbad** - ein Ölverrat, der die Bauteile im Innern der Gabel schmirt.
- Einteilig** - die unteren Rohre und die Gabelbrücke sind als ein gegossenes Bauteil ausgeführt.
- Vorspannung** - die Kraft, mit der eine Feder zusammengedrückt ist, wenn sie sich im Ruhezustand im Federelement befindet.
- Ausfedern** - nach dem Einfedern geht die Federung wieder in den Ausgangszustand zurück, indem sie auseinander gezogen wird.
- Nachgiebigkeit** - das Einfedern unter dem Gewicht des Fahrers.
- Federhärte** - die Kraft, die nötig ist, um die Feder um eine bestimmte Länge zu verformen.
- Konische Bohrung**- Schwankende Rohrwanddicke. Ein Konzept zur optimalen Materialverteilung, das die mit Hinblick auf Belastungen wirksamsten Konstruktionen ermöglicht.
- Oberer Anschlag** - die Lage des Stoßdämpfers, wenn er ganz auseinandergezogen ist, wenn die Gabel völlig ausgefedert ist.

IMBA Richtlinien

- Nur auf offenen Pfaden fahren!
- Keine Spur hinterlassen!
- Nie die Kontrolle über das Fahrrad verlieren!
- Immer ausweichen – Rücksicht auf andere nehmen!
- Tiere nie erschrecken!

GARANTIE

ROCKSHOX, INC. GIBT AUF SEINE PRODUKTE EIN JAHR GARANTIE AB DEM ERSTKAUFDATUM AUF SCHÄDEN IN MATERIAL ODER VERARBEITUNG. JEDES ROCKSHOX PRODUKT, DAS AN DAS WERK ZURÜCKGEBEN WIRD UND AN DEM ROCKSHOX MÄNGEL IN MATERIAL ODER VERARBEITUNG FESTSTELLT, WIRD NACH ERMESSEN VON ROCKSHOX, INC. REPARIERT ODER ERSETZT. DIESE GARANTIE STELLT DAS ALLEINIGE RECHTSMITTEL DAR. ROCKSHOX IST NICHT HAFTBAR FÜR INDIREKTE, BESONDERE ODER FOLGESCHÄDEN. DIE GARANTIE GILT NICHT FÜR PRODUKTE, DIE NICHT RICHTIG GEMÄSS DEN EINBAUANWEISUNGEN VON ROCKSHOX EINGEBAUT UND EINGESTELLT WURDEN. DIE GARANTIE ERSTRECKT SICH NICHT AUF PRODUKTE, DIE UNSACHGEMÄSS VERWENDET ODER DEREN SERIENNUMMER GEÄNDERT, UNKENNTLICH GEMACHT ODER ENTFERNT WURDEN. BESCHÄDIGUNGEN ODER VERÄNDERUNGEN AN DER LACKIERUNG DER GABELN FALLEN NICHT UNTER DIESE GARANTIE. EIN KAUFBELEG MUSS VORGELEGT WERDEN.

REPARATUREN AUF GARANTIE

FALLS ARBEITEN UNTER DIESER GARANTIE NOTWENDIG WERDEN, WENDEN SIE SICH AN DAS GESCHÄFT, IN DEM DIE GABEL ERWORBEN WURDE. IN DEN USA MÜSSEN GESCHÄFTE SICH TELEFONISCH EINE RÜCKGABEBERECHTIGUNGSNUMMER GEBEN LASSEN, BEVOR SIE DAS PRODUKT EINSENDEN. PRODUKTE, DIE ZUR ÜBERPRÜFUNG EINGESCHICKT WERDEN, SIND FRACHTFREI ZU SENDEN AN:

RockShox, Inc.

401 Charcot Ave.

FAX 408.428.9757

San Jose, CA 95131

www.RockShox.com

e-mail us at TechSupport@RockShox.com

Kunden in anderen Ländern wenden sich bitte an Ihren Importeur Internationale Liste der Importeure

Lista di controllo rapida per gli intervalli di manutenzione

Verificare i seguenti punti ad ogni intervallo di manutenzione. Per ulteriori dettagli vedere a pagina 8.

AD OGNI SESSIONE DI GUIDA	OGNI OTTO ORE DI GUIDA	OGNI ANNO
Pulire il corpo dell'ammortizzatore con un panno.	Pulire ed ingrassare l'occhiello del corpo. Cambiare l'olio.	
Controllare eventuali danni		Eseguire una revisione generale dell'ammortizzatore.
Controllare la pressione dell'aria nella camera positiva e negativa.		
IMPORTANTE: PER MANTENERE LE ELEVATE PRESTAZIONI E GARANTIRE SICUREZZA E LUNGA DURATA, E' NECESSARIO ESEGUIRE PERIODICAMENTE LA MANUTENZIONE. ESEGUIRE LA MANUTENZIONE CON MAGGIOR FREQUENZA SE SI GUIDA IN CONDIZIONI ESTREME.		

Indice

Introduzione	40
Caratteristiche	41
Informazioni per la sicurezza dell'utente	41
Installazione	42
Regolazione	42
Manutenzione	45
Glossario tecnico	46
Codice NORBA	47
Garanzia	47
Diagrammi esplosi	9
Elenco dei Distributori Internazionali	15



CONGRATULAZIONI! AVETE ACQUISTATO I COMPONENTI AMMORTIZZATI MIGLIORI SUL MERCATO. I PRODOTTI ROCKSHOX SONO COSTRUITI IN MATERIALI LEGGERI AD ALTA RESISTENZA E SONO PROGETTATI PER FORNIRE ALTE PRESTAZIONI E FACILITÀ DI

MANUTENZIONE. QUESTO MANUALE CONTIENE INFORMAZIONI IMPORTANTI PER IL CORRETTO MONTAGGIO, USO E MANUTENZIONE DEL PRODOTTO DA VOI ACQUISTATO. VI INVITIAMO A LEGGERLO ATTENTAMENTE, A PRENDERE DIMESTICHEZZA CON IL SUO CONTENUTO E A SEGUIRE LE NOSTRE RACCOMANDAZIONI, CHE VI AIUTERANNO A RENDERE INDIMENTICABILE E SENZA PROBLEMI LA VOSTRA ESPERIENZA CICLISTICA.



CARATTERISTICHE DELL'AMMORTIZZATORE POSTERIORE SID

- Nuova tecnologia con molla pneumatica, con camera positiva e negativa
- Regolazione esterna positiva e negativa della molla pneumatica
- Regolazione esterna del ritorno (in alcuni modelli)
- Design integrato superleggero
- Ideale per un funzionamento combinato con la forcella anteriore RockShox (sistema Tango)

ATTREZZATURA STANDARD (FORNITA INSIEME AGLI AMMORTIZZATORI POSTERIORI SID)

Attrezzi per il montaggio

Manuale utente

Adattatore per riempimento costante di aria

OPTIONAL

Pompa (con valvola Schrader)

Informazioni di sicurezza per il consumatore

Andare in bicicletta è pericoloso. Ancor più pericoloso è non provvedere all'ideale manutenzione ed ispezione della bicicletta. Ed è anche pericoloso non leggere queste istruzioni.

1. Prima di salire in bicicletta, accertarsi che i freni siano installati e registrati in modo appropriato. Se i freni non funzionano adeguatamente, il biker si espone al rischio di incidenti gravi e/o mortali.
2. Se l'ammortizzatore perde olio oppure batte eccessivamente sul fine corsa in estensione, scendere di sella immediatamente e farlo ispezionare dal rivenditore oppure chiamare RockShox. L'utilizzo continuato dell'ammortizzatore in questa condizione può causare la perdita di controllo della bicicletta con rischio di incidenti gravi e/o mortali.
3. Utilizzare sempre ricambi originali RockShox. L'uso di ricambi after-market fa decadere la garanzia e potrebbe provocare il cedimento strutturale dell'ammortizzatore. A causa del cedimento strutturale il biker potrebbe perdere il controllo della bicicletta con possibili incidenti gravi e/o mortali.

Istruzioni di installazione

È estremamente importante che l'ammortizzatore RockShox SID sia installato correttamente da personale qualificato e con gli attrezzi adatti. Per la corretta installazione dell'ammortizzatore SID consultare le istruzioni del costruttore della bicicletta. Un'installazione non corretta dell'ammortizzatore Deluxe è molto pericolosa e può causare gravi incidenti.

Taratura dell'ammortizzatore posteriore

Agendo sulla pressione dell'aria, è possibile tarare l'ammortizzatore RockShox SID sul peso particolare del biker, sul suo stile di guida e sul terreno di guida preferito. Questo ammortizzatore si presta ad essere tarato per una guida morbida in discesa o per lunghe salite, oppure per una combinazione dei due stili.

Quando si tarano le sospensioni, eseguire sempre una modifica alla volta e prenderne nota. Procedere in questo modo richiede pazienza, ma consente di capire in che modo ogni modifica incide sulla guida. Scegliere un percorso familiare per effettuare piccole regolazioni una alla volta. Per rendersi conto del range di taratura, può essere utile guidare in ambedue le condizioni estreme (alla pressione massima o minima oppure con il rebound massimo o minimo). Conservando i dati delle regolazioni effettuate è possibile sapere quali sono le modifiche già apportate e quali quelle da provare eventualmente in futuro. Chiedere ad un rivenditore o ad altri biker della propria zona quali modifiche hanno individuato e quali funzionano meglio. Queste sono in genere le migliori fonti di informazione, ma non esitate a contattare RockShox per specifici problemi di taratura. A pagina 12 si trova un elenco di numeri telefonici.

Selezione della pressione dell'aria (rigidità molle)

La pressione impostata nell'ammortizzatore dipende dal peso e dallo stile di guida del biker. La pressione dell'aria può essere modificata nella camera positiva o in quella negativa (vedere fig. 1). Le seguenti sezioni illustreranno le differenze fra la pressione positiva e negativa e forniranno le indicazioni per regolare ambedue le caratteristiche.

CAMERA D'ARIA DI COMPRESSIONE (POSITIVA)

La valvola sul diametro maggiore dell'ammortizzatore è destinata alla pressione positiva (fig. 1). La regolazione della pressione positiva determina la rigidità della molla e quindi dell'ammortizzatore. Aumentando la quantità d'aria introdotta, si ottiene un ammortizzatore più duro.

Ai biker più pesanti e dalla guida più aggressiva consigliamo di aumentare la pressione dell'aria nella camera di compressione.

Servendosi di una pompa manuale, è possibile modificare la pressione dell'aria nella camera positiva (molla principale).

SCOPO:

determinare quel valore della pressione che permette di sfruttare la massima escursione possibile. In condizioni ideali si preferisce che l'ammortizzatore affondi sul fondo corsa solo occasionalmente.

Eseguire le seguenti operazioni per regolare la camera d'aria positiva ed ottenere la rigidità corretta:

1. Individuare la valvola pneumatica positiva (di compressione - fig. 1).



Fig. 1

SUGGERIMENTO: INTORNO ALL'AMMORTIZZATORE È APPLICATA UNA DECALCOMANIA SULLA QUALE È RIPORTATO IL RANGE DELLA PRESSIONE DELL'ARIA. QUESTO È IL RANGE DEI VALORI CONSIGLIATI PER QUELLA PARTICOLARE BICICLETTA E DEVE ESSERE ADOTTATO COME PUNTO DI PARTENZA NEL MOMENTO IN CUI SI DEVE SCEGLIERE LA PRESSIONE DELL'ARIA. I BIKER PIÙ LEGGERI DOVREBBERO INIZIARE DAI VALORI BASSI DEL RANGE, MENTRE QUELLI PIÙ PESANTI DEVONO PARTIRE DAI VALORI PIÙ ALTI. CONSIGLIAMO DI PARTIRE DA UN'IMPOSTAZIONE PIÙ MORBIDA PER AUMENTARE VIA VIA SECONDO NECESSITÀ.

2. Togliere il coperchio della valvola pneumatica positiva. E' possibile che si formi una lieve pressione sotto il coperchio, facendolo saltare: ciò è normale. Prestare attenzione a non perdere il coperchio.
3. Avvitare delicatamente l'adattatore di riempimento costante sulla valvola pneumatica positiva. Non serrare eccessivamente il coperchio.
4. Riempire l'ammortizzatore finché la molla non presenti la rigidità desiderata (pressione).
5. Premere con cautela sulla sella, con la pompa installata. Si sentirà l'effetto dell'aria in eccesso.
6. Registrare il valore finale della pressione.
7. Togliere la pompa, una volta raggiunto il valore di rigidità desiderato.
8. Reinstallare il coperchio, serrando a mano.

CAMERA D'ARIA NEGATIVA

La valvola pneumatica negativa (fig. 1) determina le caratteristiche (l'impressione di guida) della bicicletta. E' possibile modificare la pressione per la molla negativa usando una pompa manuale.

Una maggiore pressione negativa è l'ideale per una guida morbida in discesa. Una pressione minore è ideale per le salite.

Per regolare la molla pneumatica negativa in base alle caratteristiche di guida desiderate, procedere nel modo seguente:

1. Individuare la valvola pneumatica negativa.

SUGGERIMENTO: LA DECALCOMANIA INTORNO ALLA VALVOLA RIPORTA I VALORI AMMESSI PER LA PRESSIONE. QUESTI VALORI RAPPRESENTANO IL PUNTO DI PARTENZA PER LA PRESSIONE NEGATIVA CHE È PARI ALLA PRESSIONE POSITIVA +/-1,50 BAR. AD ESEMPIO, AVENDO 10,50 BAR NELLA VALVOLA POSITIVA, ALLORA:

$10,50 \text{ bar} - 1,50 \text{ bar} = 9 \text{ bar}$ per una guida cross country

$10,50 \text{ bar} + 1,50 \text{ bar} = 12 \text{ bar}$ per una guida comoda in discesa

Un valore intermedio fra 9 e 12 bar permette una taratura mista per cross country e discesa

2. Togliere il tappo della valvola negativa. E' possibile che si formi una lieve pressione sotto il coperchio, facendolo saltare: ciò è normale. Prestare attenzione a non perdere il coperchio.
3. Avvitare delicatamente l'adattatore di riempimento costante sulla valvola pneumatica negativa. Non serrare eccessivamente il coperchio.
4. Riempire l'ammortizzatore fino ad ottenere la pressione desiderata. Consigliamo di partire con una pressione pari o leggermente inferiore a quella della camera d'aria positiva. Notare che l'abbassamento aumenta e l'ammortizzatore diventa più elastico via via che si aumenta l'aria nell'ammortizzatore. Applicare la pressione negativa desiderata.
5. Togliere la pompa quando si raggiunge la rigidità desiderata.
6. Reinstallare il tappo.

CONSIGLI AVANZATI PER LA TARATURA

- La pressione negativa regola l'abbassamento. Normalmente l'abbassamento corrisponde al 25 per cento dell'escursione totale disponibile della ruota nel cross country e al 33 per cento nella discesa.
 - Una guida grintosa o su terreni accidentati può richiedere una molla di maggiore rigidità.
 - Per una sterzata più veloce e reattiva, diminuire l'abbassamento posteriore della bicicletta (aumentare l'angolo di sterzo). Per una sterzata più lenta e più stabile, aumentare l'abbassamento posteriore della bicicletta (diminuire l'angolo di sterzo).
- § Utilizzando un valore di pressione negativa inferiore rispetto alla pressione positiva si ottiene una guida più facile in salita.
- § Utilizzando un valore di pressione negativa superiore rispetto alla pressione positiva si ottiene una guida più comoda in discesa.
- Per determinare l'escursione massima, lasciare 3,5 bar in ogni camera d'aria (positiva e negativa). Posizionare una fascetta intorno al corpo, in modo che l'ammortizzatore, una volta compresso, spinga la fascetta in basso sul corpo per contrassegnare l'escursione massima. Premere sulla sella o guidare la bicicletta per determinare l'escursione massima (accertarsi che l'ammortizzatore sia stato riempito d'aria prima di guidare la bicicletta).

Regolazione dell'ammortizzazione di ritorno (rebound) (su alcuni modelli)

Nell'ammortizzatore SID è presente una manopola rossa di regolazione dell'ammortizzazione di ritorno. Il ritorno (rebound) controlla l'estensione o ritorno dell'ammortizzatore. La velocità di ritorno dell'ammortizzatore è massima quando la manopola di regolazione è ruotata completamente in senso antiorario. La velocità di ritorno è minima quando la manopola di regolazione è completamente ruotata in senso orario.

TARATURA PER LA DISCESA:

Per ottimizzare il ritorno in vista di un uso discesistico, eseguire un test su terreno fortemente ondulato. Utilizzare un percorso tipico con ondulazioni o dossi per limitare la velocità. Sperimentarlo passando sulle ondulazioni o dossi alcune volte fino a quando si ha una sensazione di guida ripetibile. Il ritorno è corretto quando la ruota accompagna ciascun dosso e la guida è costantemente scorrevole. Il primo dosso deve essere scorrevole come l'ultimo.

SINTOMI DI ECCESSIVO RITORNO

Il lento movimento di ritorno dell'ammortizzatore, in cui l'ammortizzatore funziona bene sui primi dossi e poi diventa progressivamente più rigido, significa che il ritorno è eccessivo. Inoltre, durante le frenate, la ruota posteriore tende a sollevarsi sui dossi. Per regolare l'ammortizzatore in modo da ottenere una maggiore ripetibilità e una migliore frenatura, ruotare di mezzo giro in senso antiorario la manopola di regolazione del ritorno e ripetere la prova.

SINTOMI DI INSUFFICIENTE RITORNO

Si ha un ritorno insufficiente quando l'ammortizzatore si estende troppo velocemente e la bicicletta sembra voler disarcionare il ciclista o la ruota posteriore perde trazione. Ruotare di mezzo giro in senso orario la

manopola di regolazione del ritorno per rallentarne l'azione ed ottenere una maggiore ripetibilità e una migliore frenatura sui dossi.

CONSIGLI AVANZATI

Per le biciclette che richiedono una regolazione del ritorno per le salite, ruotare il ritorno finché le oscillazioni non scompaiono.

Manutenzione

L'ammortizzatore RockShox SID è progettato per garantire elevate prestazioni. A tale scopo consigliamo di tenere il corpo dell'ammortizzatore il più pulito possibile. Si consiglia inoltre di far revisionare l'ammortizzatore una volta all'anno da personale qualificato e con gli attrezzi adatti, o più spesso se si guida in condizioni ambientali estreme. Il manuale di manutenzione con le procedure di revisione è disponibile presso i rivenditori locali o direttamente presso RockShox telefonando al numero verde 1.800.677.7177.

Col tempo, l'olio contenuto nell'ammortizzatore si degrada e la forza ammortizzante diminuisce. Quando la perdita di ammortizzazione sarà significativa, l'ammortizzatore presenterà una compressione ed un ritorno troppo rapidi. Ciò indica che l'ammortizzatore deve essere sottoposto a manutenzione. Questo intervento deve essere eseguito da un rivenditore RockShox oppure direttamente da RockShox.

Lubrificazione della molla pneumatica - Una volta all'anno. Questa procedura di assistenza richiede la consultazione della versione aggiornata del manuale di manutenzione per RockShox Deluxe.

Ispezione e sostituzione della guarnizione - Questa procedura di assistenza richiede la consultazione della versione aggiornata del manuale di manutenzione per RockShox Deluxe.

Pressione della molla pneumatica - controllare ad ogni sessione di guida, nell'arco di alcuni giorni si potrebbe verificare una lieve perdita d'aria.

MANUTENZIONE ORDINARIA

Lavaggio dell'ammortizzatore Deluxe: pulire l'ammortizzatore con un detergente delicato e uno spazzolino da denti. Mantenere sempre puliti e ingrassati il corpo e le boccole dell'occhiello del corpo.

IMPORTANTE: NON USARE MAI UN PULITORE AD ACQUA AD ALTA PRESSIONE PER LA PULIZIA DELL'AMMORTIZZATORE!

Intervalli di cambio dell'olio: si consiglia di cambiare l'olio dell'ammortizzatore una volta all'anno. Ma il cambio olio dovrà essere effettuato più spesso se si guida in condizioni ambientali estreme.

Perdite d'olio: completa possibilità di assistenza tecnica. Rivolgersi al rivenditore RockShox oppure direttamente a RockShox per richiedere l'intervento di assistenza tecnica per l'ammortizzatore posteriore.

Glossario dei termini

Affondamento sul fondocorsa (bottoming out) – la condizione in cui è stata sfruttata tutta l'escursione della sospensione.

Fase di compressione – il movimento "verso l'alto" di una forcella che si sposta in reazione

all'impatto con un dosso.

Forza di ammortizzazione – la forza necessaria per spostare un ammortizzatore / respingente (olio generale) ad una data velocità.

Fucinatura – un processo di modellatura dei metalli che ottimizza la struttura del materiale facendo agire forze elevate su uno stampo in cui è posto il materiale da modellare.

Geometria – termine che descrive le lunghezze e gli angoli usati nel progetto di una bicicletta.

Angolo di sterzo – angolo descritto fra il tubo di sterzo e la verticale.

Bagno d'olio – sistema di riserva d'olio usato per lubrificare le parti interne della forcella.

Monoblocco – gruppo foderi-archetto monoscocca che incorpora in un'unica fusione i due foderi della forcella e l'archetto.

Precarico – la compressione della molla, espressa in pollici o once, quando è installata in un ammortizzatore esteso.

Ritorno – l'estensione o la direzione di ritorno degli ammortizzatori o delle sospensioni (rebound).

Abbassamento (sag) – la compressione della sospensione provocata dal peso del biker.

Rigidità – la forza necessaria a produrre la deformazione unitaria di una molla.

Rastrematura – lo spessore variabile di un tubo. Design studiato per ottimizzare la distribuzione del materiale, per realizzare una progettazione ideale che tenga conto dei carichi.

Fine corsa in estensione (topping out) – la posizione della forcella all'inizio dell'escursione, o quando la forcella è completamente estesa. L'azione di completa estensione della forcella.

Regole IMBA

- Guidare solo su sentieri aperti
- Non lasciare tracce
- Avere il controllo pieno della bicicletta
- Dare sempre la precedenza
- Non spaventare mai gli animali

GARANZIA

ROCKSHOX, INC. GARANTISCE I SUOI PRODOTTI PER IL PERIODO DI UN ANNO DALLA DATA DI ACQUISTO PER OGNI DIFETTO DI MATERIALI O DI LAVORAZIONE. OGNI PRODOTTO ROCKSHOX RISPEDITO IN FABBRICA E TROVATO DA ROCKSHOX DIFETTOSO SARÀ RIPARATO O SOSTITUITO, A SCELTA INSINDACABILE DELLA ROCKSHOX, INC. TALE GARANZIA È L'UNICA APPLICABILE. ROCKSHOX DECLINA OGNI RESPONSABILITÀ IN CASO DI DANNI INDIRETTI, SPECIALI O CONSEGUENTI.

LA GARANZIA NON SI APPLICA AI PRODOTTI CHE NON SIANO STATI INSTALLATI E REGOLATI CORRETTAMENTE SECONDO LE ISTRUZIONI ROCKSHOX. LA GARANZIA NON COPRE I PRODOTTI SOTTOPOSTI AD UN USO IMPROPRIO O QUELLI CON NUMERO DI SERIE ALTERATO, ILLEGGIBILE O CANCELLATO. QUESTA GARANZIA NON COPRE I DANNI ALLA VERNICIATURA NÉ EVENTUALI MODIFICHE AL PRODOTTO. SI RICHIEDE LA PROVA DI ACQUISTO.

RIPARAZIONI IN GARANZIA

SE PER QUALSIASI RAGIONE FOSSE NECESSARIO EFFETTUARE RIPARAZIONI IN GARANZIA, RISPEDIRE IL PRODOTTO AL PUNTO DI VENDITA. NEGLI USA, PRIMA DI RESTITUIRE IL PRODOTTO IL RIVENDITORE DEVE RICHIEDERE UN NUMERO DI AUTORIZZAZIONE PER LA RESA (NUM. RA). OGNI PRODOTTO INVIATO PER UN CONTROLLO DEVE ESSERE SPEDITO A CARICO DEL MITTENTE AL SEGUENTE INDIRIZZO:

RockShox, Inc.

401 Charcot Ave. FAX 408.428.9757

San Jose, CA 95131

USA

www.rockshox.com

e-mail: TechSupport@rockshox.com

NUM. VERDE ASSISTENZA TECNICA NEGLI USA 800-677.7177

I clienti non residenti negli USA devono contattare il loro rivenditore o distributore locale

Lista resumida de comprobaciones de mantenimiento periódico

Verifique lo siguiente en cada intervalo de mantenimiento. Para obtener más información, consulte la página 8.

CADA VEZ QUE VAYA A MONTAR EN LA BICICLETA	A LOS OCHO HORAS DE USO	UNA VEZ AL AÑO
Limpie el cuerpo del amortiguador	Limpie y engrase el ojal del amortiguador	Cambie el aceite
Compruebe si presenta daños		Revisión a fondo del amortiguador

Compruebe la presión de aire de las cámaras positiva y negativa

IMPORTANTE: PARA GARANTIZAR SU SEGURIDAD, MANTENER UN ELEVADO RENDIMIENTO Y ASEGURARSE UNA DILATADA VIDA ÚTIL PARA SU BICICLETA, ES NECESARIO REALIZAR UN MANTENIMIENTO PERIÓDICO. REALICE LAS TAREAS DE MANTENIMIENTO CON MAYOR FRECUENCIA SI CONDUCE EN SITUACIONES MUY ADVERSAS.

Contenido

Introducción	50
Características	51
Instrucciones de seguridad	51
Instalación	52
Ajuste	53
Mantenimiento	55
Glosario	56
Código NORBA	57
Garantía	57
Despiece	9
Lista de distribuidores internacionales	15



¡ENHORABUENA! HA ADQUIRIDO LO MEJOR EN COMPONENTES DE SUSPENSIÓN. LOS PRODUCTOS ROCKSHOX ESTÁN FABRICADOS CON MATERIALES LIGEROS DE ALTA RESISTENCIA, Y HAN SIDO DISEÑADOS PARA CONSEGUIR UN EQUILIBRIO ENTRE ALTAS

PRESTACIONES Y FACILIDAD DE MANTENIMIENTO. ESTE MANUAL CONTIENE INFORMACIÓN IMPORTANTE PARA INSTALAR, UTILIZAR Y MANTENER LAS HORQUILLAS CON SEGURIDAD. LE RECOMENDAMOS QUE LO LEA DETENIDAMENTE, SE FAMILIARICE CON SU CONTENIDO Y SIGA LAS RECOMENDACIONES EN ÉL CONTENIDAS, PUES ELLO CONTRIBUIRÁ A QUE LA UTILIZACIÓN DE SU BICICLETA DE MONTAÑA LE RESULTE AGRADABLE Y SEGURA.



Características del amortiguador trasero SID

- Nueva tecnología de amortiguación neumática con cámaras positiva y negativa
- Ajuste externo de amortiguación neumática positiva y negativa
- Ajuste externo de rebote (algunos modelos)
- Diseño integrado ultraligero
- El modelo Tango ha sido ajustado para funcionar en combinación con la horquilla delantera RockShox (Tango)

EQUIPAMIENTO ESTÁNDAR (INCLUIDO CON LOS AMORTIGUADORES TRASEROS SID)

Tornillería de montaje

Manual del usuario

Adaptador de aire de inflado constante

EQUIPAMIENTO OPTATIVO

Bomba (con válvula Schrader)

Información para seguridad de los consumidores

Montar en bicicleta es una actividad arriesgada, pero más aún lo es no mantenerla ni inspeccionarla adecuadamente. También es peligroso no leer estas instrucciones.

1. Antes de montarse en la bicicleta, compruebe que los frenos estén adecuadamente instalados y ajustados. Si se presentase un fallo en su funcionamiento, el ciclista podría sufrir lesiones graves o incluso mortales.
2. Si el amortiguador pierde aceite o produce ruidos que indican que hace tope con excesiva frecuencia, bájese inmediatamente de la bicicleta y haga que su proveedor revise el amortiguador, o póngase en contacto con RockShox. Si continúa montando con el amortiguador en esas condiciones, podría perder el control de la bicicleta y sufrir lesiones graves o incluso mortales.
3. Utilice siempre piezas originales RockShox. La utilización de repuestos no originales anula la garantía y podría ocasionar un fallo estructural del amortiguador que hiciese perder el control de la bicicleta y provocase lesiones graves o incluso mortales.

Instrucciones de instalación

Es muy importante que su amortiguador RockShox SID sea instalado correctamente por un técnico cualificado que disponga de las herramientas necesarias. Consulte las instrucciones del fabricante de su bicicleta para instalar adecuadamente el amortiguador SID. Los amortiguadores mal instalados resultan extremadamente peligrosos y pueden provocar lesiones graves o incluso mortales.

Ajuste del amortiguador trasero

Graduando la presión de aire es posible ajustar el amortiguador trasero SID al peso, estilo de conducción y terrenos de uso más frecuente de cada ciclista. El diseño de este amortiguador permite ajustarlo para obtener una respuesta suave y blanda adecuada para los descensos, o para subidas largas, o una combinación de ambos.

Cuando ajuste su suspensión, realice una modificación cada vez y anótelas. Ello requiere paciencia, pero a cambio le permitirá apreciar cómo afecta cada modificación a la conducción de la bicicleta. Utilice una pista que conozca para realizar pequeños ajustes cada vez. Para comprender el margen de ajuste, quizás le resulte útil montar con ambos extremos de ajuste (presión baja y alta, o rebote máximo y mínimo). Manteniendo un registro de modificaciones, podrá saber los que ha probado y funcionan, y cuáles debería probar. Pregunte en su tienda, o a los aficionados locales, con qué ajustes han obtenido buenos resultados. Normalmente esa será la mejor fuente de información para usted, pero no dude en llamarnos para consultarnos sobre sus necesidades concretas de ajuste. Puede encontrar una lista de números de teléfono en la página 11.

Selección de la presión de aire (tarado)

La presión de aire a la que deberá ajustarse el amortiguador dependerá de su peso y estilo de conducción. La presión de aire puede modificarse en la cámara de amortiguación neumática positiva o en la negativa (ver fig. 1). En las secciones siguientes se explicarán las diferencias entre la presión de aire positiva y la negativa, así como la manera de ajustar ambos parámetros.

CÁMARA DE AIRE DE COMPRESIÓN (POSITIVA)

La válvula de mayor diámetro del amortiguador es la que regula la presión de aire positiva (fig. 1). El ajuste de la presión de aire positiva determina el tarado o dureza del amortiguador. Cuanto más aire se introduzca, más duro quedará el amortiguador.

Para los ciclistas más pesados y de conducción más agresiva, recomendamos incrementar la presión de aire de la cámara de compresión.

Con una bomba de mano puede variar la presión de aire de la cámara de aire positiva (muelle principal).

OBJETIVO:

Determinar la presión de aire que permite aprovechar el máximo recorrido posible. En principio, interesa que el amortiguador haga tope ocasionalmente.

Para ajustar la cámara de aire de amortiguación positiva con objeto de obtener el tarado apropiado, haga lo siguiente:



Fig. 1

1. Localice la válvula de aire de amortiguación positiva (compresión) (fig. 1).

CONSEJO: EL AMORTIGUADOR LLEVA UNA CALCAMONÍA EN LA QUE SE INDICA EL MARGEN DE PRESIONES DE AIRE. ESTE MARGEN ES EL RECOMENDADO PARA SU MODELO DE BICICLETA, Y DEBE UTILIZARSE COMO REFERENCIA PARA SELECCIONAR LA PRESIÓN DE AIRE. LOS CICLISTAS DE MENOR PESO DEBEN EMPEZAR CON EL VALOR MÍNIMO DE LA ESCALA, Y LOS MÁS PESADOS CON EL MÁXIMO. RECOMENDAMOS COMENZAR CON UN AJUSTE MÁS SUAVE E IR AUMENTÁNDOLO.

2. Retire el tapón de la válvula de aire positiva. Quizás se haya acumulado bajo el tapón una cierta presión de aire que lo haga saltar con un "pop" al retirarlo. Eso es normal. Tenga cuidado de no perder el tapón.
3. Enrosque ligeramente el adaptador de inflado constante en la válvula de aire de presión neumática positiva. Procure no apretarlo en exceso.
4. Infle el amortiguador hasta obtener el tarado (presión de aire) que desee.
5. Haga presión con cuidado sobre el sillín con la bomba colocada. De este modo comprobará el efecto del aire añadido.
6. Anote la lectura de presión final.
7. Retire la bomba cuando haya obtenido el tarado adecuado.
8. Vuelva a colocar el tapón, enroscándolo a mano.

CÁMARA DE AIRE NEGATIVA

La válvula de aire negativa (fig. 1) determina las características dinámicas de la bicicleta, es decir, la sensación de conducción. Si lo desea, puede variar la presión de aire de amortiguación negativa utilizando una bomba manual.

Aumentar la presión de amortiguación negativa es lo mejor para obtener un ajuste blando, que resulta adecuado para los descensos. Reducir la presión de aire es lo más aconsejable para subidas.

Realice el procedimiento siguiente para ajustar la amortiguación neumática negativa a las características de conducción deseadas:

1. Localice la válvula de aire de amortiguación negativa.

CONSEJO: ALREDEDOR DE LA VÁLVULA HAY UNA CALCAMONÍA QUE INDICA EL MARGEN DE PRESIONES. EN ELLA ENCONTRARÁ EL VALOR DE PARTIDA PARA EL AJUSTE DE LA PRESIÓN DE AMORTIGUACIÓN NEUMÁTICA NEGATIVA, QUE CORRESPONDE A UNA PRESIÓN POSITIVA DE +/- 1,50 ATM (20 PSI). POR EJEMPLO, SI HAY 10,50 ATM (150 PSI) EN LA VÁLVULA DE AIRE POSITIVA:

$10,50 - 1,50 \text{ atm} = 9 \text{ atm}$ para todo terreno

$10,50 + 1,50 \text{ atm} = 12 \text{ atm}$, que da una respuesta blanda ideal para carreras de descenso

Con una presión de entre 9 y 12 atmósferas se obtiene un ajuste mixto entre el todo terreno y el descenso

2. Retire el tapón de la válvula neumática de presión negativa. Quizás se haya acumulado bajo el tapón una cierta presión de aire que lo haga saltar con un "pop" al retirarlo. Eso es normal. Tenga cuidado de no perder el tapón.
3. Enrosque ligeramente el adaptador de inflado constante en la válvula de presión neumática negativa. Procure no apretarlo en exceso.
4. Infle el amortiguador hasta obtener la presión de aire que desee. Recomendamos comenzar con una

presión de aire igual o ligeramente menor que la de la cámara de amortiguación neumática positiva. Observará que el hundimiento aumenta, y que el amortiguador se vuelve más suave al ir añadiéndole aire. Añada la presión neumática negativa que desee.

5. Retire la bomba cuando haya obtenido el tarado adecuado.
6. Vuelva a colocar el tapón.

CONSEJOS DE AJUSTE AVANZADOS

- La presión neumática negativa regula el hundimiento. Por lo general, el hundimiento representa el 25 por ciento de todo el recorrido disponible de la rueda para todo terreno, y el 33 por ciento para descenso.
 - Si se realiza una conducción agresiva o en terrenos accidentados, puede requerir un tarado de muelle más firme.
 - Es posible conseguir una mayor agilidad y rapidez de respuesta en la conducción disminuyendo el hundimiento trasero de la bicicleta (con lo cual se incrementa el ángulo de cabeza). Si se desea una conducción más lenta y estable, puede aumentarse el hundimiento trasero de la bicicleta (con lo cual se reduce el ángulo de cabeza).
- ∫ Si utiliza una presión neumática negativa menor que la positiva, le resultarán más cómodas las subidas.
- ∫ Con una presión neumática negativa mayor que la positiva, obtendrá una gran suavidad en los descensos.
- Para determinar el recorrido máximo, deje 3,50 atmósferas (50 psi) en cada cámara de aire (positiva y negativa). Coloque una cinta-cremallera de plástico alrededor del cuerpo del amortiguador, de modo que cuando éste se comprima la desplace hacia abajo, para marcar el recorrido máximo. Haga presión sobre el sillín, o súbase a la bicicleta, para determinar el recorrido máximo (antes de montar, asegúrese de que el amortiguador esté lleno de aire).

Ajuste de la amortiguación de rebotes (algunos modelos)

El amortiguador SID incorpora un mando rojo de ajuste de la amortiguación de rebotes. El rebote controla la extensión y la recuperación del amortiguador. El rebote del amortiguador es más rápido cuando el mando de ajuste se encuentra en la posición de tope en sentido antihorario. El rebote es más lento cuando el mando se encuentra en la posición de tope en sentido horario.

AJUSTE PARA LOS DESCENSO:

Para optimizar el rebote en descenso, realice una prueba en un terreno con bandas acústicas. Conduzca por un recorrido donde existan bandas acústicas o montículos para moderación de la velocidad. Pase por las bandas o montículos un par de veces para comprobar si la respuesta es uniforme. El ajuste de rebote será óptimo cuando la rueda no se separe del montículo y lo supere con suavidad. El primer montículo debe superarse con la misma suavidad que el último.

SÍNTOMAS DE REBOTE EXCESIVO:

Un síntoma de rebote excesivo es la lentitud de recuperación del amortiguador, que tendrá una buena respuesta en los primeros montículos y se irá endureciendo progresivamente. Por otra parte, la rueda trasera tenderá a deslizarse sobre los montículos al frenar. Para conseguir una mayor uniformidad de respuesta y

mejorar la frenada, gire el mando de ajuste media vuelta en sentido antihorario y repita la prueba.

SÍNTOMAS DE REBOTE INSUFICIENTE:

El rebote será insuficiente si el amortiguador se recupera con demasiada rapidez y la bicicleta parece intentar "desmontarle", o la rueda trasera derrapa. Gire el mando de ajuste media vuelta en sentido horario. De esa forma ralentizará el rebote y conseguirá una mayor uniformidad de respuesta y una mejor frenada.

CONSEJOS AVANZADOS

Si en su bicicleta necesita reducir los rebotes que se producen en las subidas, haga girar el mando de ajuste de rebote hasta que desaparezca ese efecto.

Mantenimiento

Los amortiguadores RockShox SID han sido diseñados para ofrecer un elevado rendimiento. Para garantizarlo, recomendamos mantener el amortiguador lo más limpio posible. También se recomienda hacer revisar a fondo el amortiguador por un mecánico experto con herramientas adecuadas al menos una vez al año, o más a menudo si anda en bicicleta en condiciones extremas. Existe un manual que explica los procedimientos de revisión, y que puede conseguir a través de su distribuidor local o dirigiéndose directamente a RockShox, al 1.800.677.7177.

Con el tiempo, el aceite del interior del amortiguador se degradará y éste comenzará a perder capacidad de amortiguación. Cuando esa pérdida sea importante, el amortiguador se comprimirá y rebotará con excesiva rapidez. Ello indicará que el amortiguador necesita mantenimiento. El mantenimiento solamente debe ser efectuado por un distribuidor autorizado o directamente por RockShox.

Engrase del amortiguador neumático - Una vez al año. Para esta operación de mantenimiento es necesaria la versión más reciente del Manual de mantenimiento de RockShox Deluxe.

Inspección y sustitución de juntas - Este servicio requiere la versión más reciente del Manual de mantenimiento de RockShox Deluxe.

Presión de amortiguación neumática - Compruébela cada vez que monte, ya que podrían producirse pequeñas pérdidas de aire al cabo de unos días.

CONSERVACIÓN GENERAL:

Lavado del amortiguador SID: Limpie el amortiguador con un detergente suave y un cepillo de dientes. Mantenga el cuerpo del amortiguador y los rodamientos del ojal limpios y engrasados.

Importante: No utilice nunca jabones fuertes para limpiar el amortiguador.

Intervalos de cambio de aceite: Le recomendamos que cambie el aceite del amortiguador una vez al año. Sin embargo, si anda en bicicleta en condiciones extremas, deberá cambiarlo más a menudo.

Fugas de aceite: Mantenimiento integral. Diríjase a un distribuidor autorizado o directamente a RockShox para que efectúe la reparación.

Glosario

Hacer tope - llegar al límite del recorrido de la suspensión.

Recorrido de compresión - movimiento ascendente de una horquilla que se desplaza como reacción al impacto de un bache.

Forjado - proceso de conformación de metales que proporciona la estructura de material óptima mediante la aplicación de fuerzas muy intensas a un molde en el que se colocan los materiales que se van a conformar.

Geometría - término descriptivo referente a las longitudes y los ángulos empleados en el diseño de bicicletas.

Ángulo de cabeza - ángulo de desviación del eje de la dirección respecto a la vertical.

Baño de aceite - sistema de depósito de aceite empleado para lubricar las piezas internas de la horquilla.

Monopieza - configuración del conjunto de brazo inferior en la que los dos brazos de la horquilla y el puente de la horquilla forman una sola pieza.

Precarga - cantidad, en unidades de peso o de longitud, en que se comprime un muelle cuando se instala en un amortiguador en reposo.

Rebote - extensión o recuperación de los amortiguadores o la suspensión.

Hundimiento - compresión de la suspensión ocasionada por el peso del ciclista.

Tarado de muelle - fuerza necesaria para deformar un muelle una determinada longitud.

Conificado - variación del grosor de la pared de un tubo. Los tubos conificados se diseñan expresamente para presentar una pared más gruesa en las áreas sometidas a mayores tensiones, y secciones más finas en las áreas de menor tensión, para reducir el peso al mínimo.

Tope - posición de la horquilla situada en el "extremo superior" de su recorrido, o cuando la horquilla está completamente extendida. Hacer tope es hacer llegar al límite el recorrido de la horquilla.

Las reglas IMBA del camino

- Montar sólo por caminos abiertos
- No dejar huella
- Controlar tu bicicleta
- Ceder siempre el paso
- No asustar a los animales

Garantía

ROCKSHOX, INC. GARANTIZA SUS PRODUCTOS DURANTE UN PERÍODO DE UN AÑO A PARTIR DE LA FECHA DE COMPRA ORIGINAL. LA GARANTÍA CUBRE LOS DEFECTOS EN LOS MATERIALES Y EN EL PROCESO DE FABRICACIÓN. TODO PRODUCTO ROCKSHOX QUE SEA DEVUELTO A FÁBRICA Y QUE, TRAS EXAMEN POR PARTE DE ROCKSHOX, REVELE DEFECTOS MATERIALES O DE FABRICACIÓN, SERÁ SUSTITUIDO O REPARADO, A CRITERIO DE ROCKSHOX, INC. LA RESPONSABILIDAD ACEPTADA POR ROCKSHOX SE LIMITA ÚNICA Y EXCLUSIVAMENTE A ESTA GARANTÍA. ROCKSHOX DECLINA TODA RESPONSABILIDAD POR DAÑOS INDIRECTOS, EMERGENTES O CUANTIFICABLES DERIVADOS DEL USO DE SUS PRODUCTOS.

LA GARANTÍA NO SERÁ APLICABLE A AQUELLOS PRODUCTOS QUE NO HAYAN SIDO INSTALADOS Y AJUSTADOS CORRECTAMENTE DE ACUERDO CON LAS INSTRUCCIONES DE INSTALACIÓN DE ROCKSHOX, A LOS UTILIZADOS DE FORMA INCORRECTA, NI A AQUELLOS CUYO NÚMERO DE SERIE SE HAYA ALTERADO, CAMUFLADO O RETIRADO. ESTA GARANTÍA TAMPOCO CUBRE LOS DAÑOS EN LA PINTURA DEL PRODUCTO NI LAS MODIFICACIONES A LAS QUE ÉSTE PUEDA HABER SIDO SOMETIDO. SE EXIGIRÁN JUSTIFICANTES DE COMPRA.

REPARACIÓN EN PERÍODO DE GARANTÍA

SI POR ALGÚN MOTIVO NECESITASE RECURRIR A LA GARANTÍA, DEVUELVA EL PRODUCTO AL ESTABLECIMIENTO DONDE LO ADQUIRIÓ. EN ESTADOS UNIDOS, LOS CONCESIONARIOS HAN DE SOLICITAR UN NÚMERO DE AUTORIZACIÓN DE DEVOLUCIÓN (RA#) ANTES DE DEVOLVER EL PRODUCTO. EL ENVÍO DE PRODUCTOS DEVUELTOS PARA INSPECCIÓN HA DE EFECTUARSE A PORTES PAGADOS, A LA SIGUIENTE DIRECCIÓN:

RockShox, Inc.

401 Charcot Ave. FAX 408.428.9757

San Jose, CA 95131

www.rockshox.com

correo electrónico: TechSupport@rockshox.com

Llamada gratuita al servicio técnico en EE.UU. 800.77.7177

Fuera de EE.UU., los clientes han de ponerse en contacto con su concesionario o distribuidor local.

